

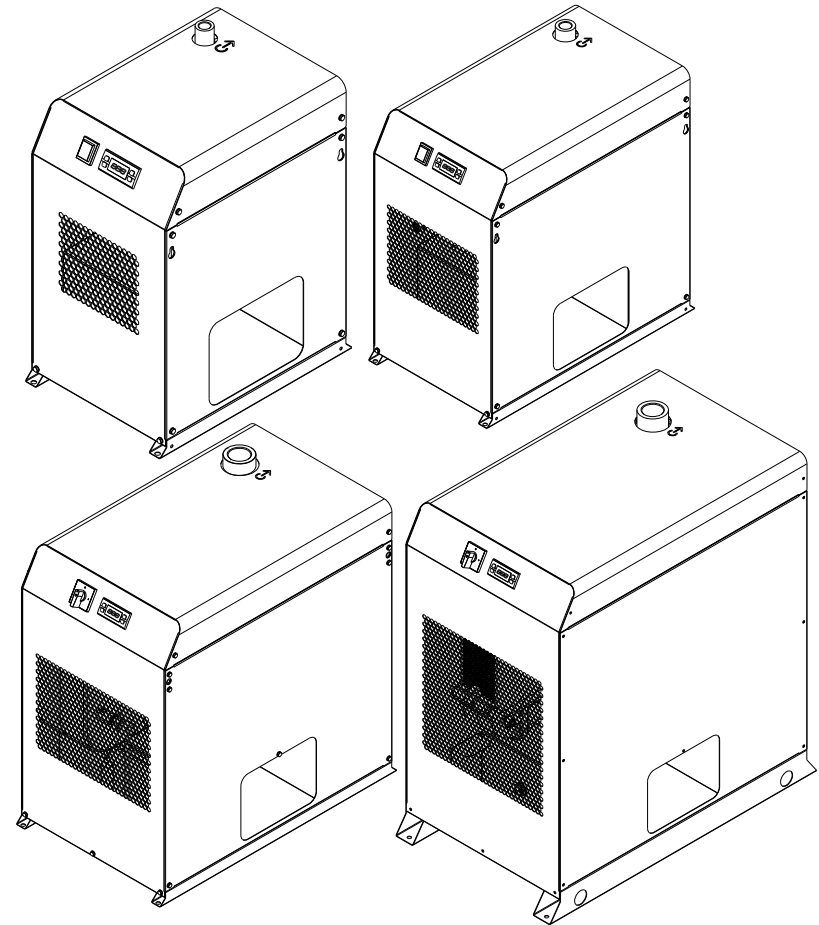
# StarlettePlus-E

Refrigeration Dryer

(60Hz)



SPS010-115V  
SPS015-115V  
SPS025-115V  
SPS035-115V  
SPS050-115V  
SPS075-115V  
SPS075-230V  
SPS0100-115V  
SPS0100-230V  
SPS0125-115V  
SPS0125-230V  
SPS0150-115V  
SPS0150-230V  
SPS0175-115V  
SPS0175-230V  
SPS0200-230V  
SPS0250-230V



EN User Manual  
ES Manual de uso  
FR Manuel d'utilisation

DATE: 14.02.2022 - Rev. 02  
CODE: 398H271750





## Index





<b>1</b>	<b>Safety</b>	<b>1</b>
1.1	Importance of the manual .....	1
1.2	Warning signals .....	1
1.3	Safety instructions .....	1
1.4	Residual risks .....	1
<b>2</b>	<b>Introduction</b>	<b>2</b>
2.1	Transport .....	2
2.2	Handling .....	2
2.3	Inspection .....	2
2.4	Storage .....	2
<b>3</b>	<b>Installation</b>	<b>2</b>
3.1	Procedures .....	2
3.2	Operating space .....	2
3.3	Tips .....	2
3.4	Electrical connection .....	2
3.5	Condensate drain connection .....	2
<b>4</b>	<b>Commissioning</b>	<b>2</b>
4.1	Preliminary checks .....	2
4.2	Starting .....	2
4.3	Operation .....	2
4.4	Stop .....	2
<b>5</b>	<b>Control</b>	<b>3</b>
5.1	Parameter settings .....	3
<b>6</b>	<b>Maintenance</b>	<b>4</b>
6.1	General instructions .....	4
6.2	Refrigerant .....	4
6.3	Preventive Maintenance Programme .....	4
6.4	Dismantling .....	4
<b>7</b>	<b>Troubleshooting</b>	<b>5</b>
<b>8</b>	<b>Appendix</b>	
	There are symbols whose meaning is given in the par. 8.1.	
8.1	Legend	
8.2	Installation diagram	
8.3	Technical data	
8.4	Spare parts list	
8.5	Exploded drawing	
8.6	Dimensional drawings	
8.7	Refrigerant circuit	
8.8	Wiring diagram	

# 1 Safety


## 1.1 Importance of the manual


- Keep it for the entire life of the machine.
- Read it before any operation.
- It is subject to changes: for updated information see the version on the unit.

## 1.2 Warning signals



	Instruction for avoiding danger to persons
	Instruction for avoiding damage to the equipment.
	The presence of a skilled or authorized technician is required.
	There are symbols whose meaning is given in the para. 8.1


## 1.3 Safety instructions

 Every unit is equipped with an electric disconnecting switch for operating in safe conditions. Always use this device in order to eliminate risks maintenance.

 The manual is intended for the end-user, only for operations performable with closed panels: operations requiring opening with tools must be carried out by skilled and qualified personnel.

 Do not exceed the design limits given on the data plate.

  It is the user's responsibility to avoid loads different from the internal static pressure. The unit must be appropriately protected whenever risks of seismic phenomena exist.

 The safety devices on the compressed air circuit must be provided for by the user

The dimensioning of the safety devices of the air compressed circuit must be according to the specifications of the system and legislation in force locally.

Only use the unit for professional work and for its intended purpose.

The user is responsible for analysing the application aspects for product installation, and following all the applicable industrial and safety standards and regulations contained in the product instruction manual or other documentation supplied with the unit.


Tampering or replacement of any parts by unauthorized personnel and/or improper machine use exonerate the manufacturer from all responsibility and invalidate the warranty.

The manufacturer declines and present or future liability for damage to persons, things and the machine, due to negligence of the operators, non-compliance with all the instructions given in this manual, and non-application of current regulations regarding safety of the system.

The manufacturer declines any liability for damage due to alterations and/or changes to the packing.

It is the responsibility of the user to ensure that the specifications pro-

vided for the selection of the unit or components and/or options are fully comprehensive for the correct or foreseeable use of the machine itself or its components.

 **IMPORTANT: The manufacturer reserves the right to modify this manual at any time. The most comprehensive and updated information, the user is advised to consult the manual supplied with the unit.**

## 1.4 Residual risks

The installation, start up, stopping and maintenance of the machine must be performed in accordance with the information and instructions given in the technical documentation supplied and always in such a way to avoid the creation of a hazardous situation.

The risks that it has not been possible to eliminate in the design stage are listed in the following table:

Part affected	Residual risk	Manner of exposure	Precautions
heat exchanger coil	small cuts	contact	avoid contact, wear protective gloves
fan grille and fan	lesions	insertion of pointed objects through the grille while the fan is in operation	do not poke objects of any type through the fan grille or place any objects on the grille
inside the unit: compressor and discharge pipe	burns	contact	avoid contact, wear protective gloves
inside the unit: metal parts and electrical wires	intoxication, electrical shock, serious burns	defects in the insulation of the power supply lines upstream of the electrical panel; live metal parts	adequate electrical protection of the power supply line; ensure metal parts are properly connected to earth
outside the unit: area surrounding the unit	intoxication, serious burns	fire due to short circuit or overheating of the supply line upstream of the unit's electrical panel	ensure conductor cross-sectional areas and the supply line protection system conform to applicable regulations

## 2 Introduction

This manual refers to refrigeration dryers designed to guarantee high quality in the treatment of compressed air.

### 2.1 Transport

The packed unit must:

- remain upright;
- be protected against atmospheric agents;
- be protected against impacts.

### 2.2 Handling

Use a fork-lift truck suitable for the weight to be lifted, avoiding any type of impact.

### 2.3 Inspection

- All the units are assembled, wired, charged with refrigerant and oil and tested under standard operating conditions in the factory;
- on receiving the machine check its condition: immediately notify the transport company in case of any damage;
- unpack the unit as close as possible to the place of installation.

### 2.4 Storage

If several units have to be stacked, follow the notes given on the packing. Keep the unit packed in a clean place protected from damp and bad weather.

## 3 Installation

### 3.1 Procedures

Install the dryer inside, in a clean area protected from direct atmospheric agents (including sunlight).

☞ Comply with the instructions given in par. 8.2 and 8.3.

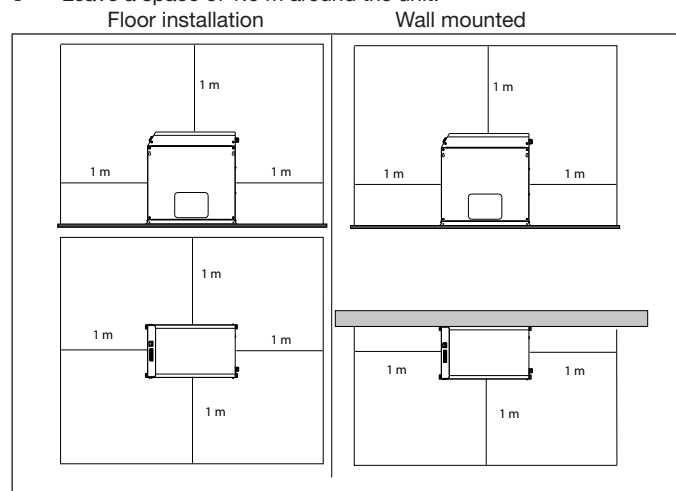
All dryers must be fitted with adequate pre-filtration near the dryer air inlet. Seller is excluded any obligation of compensation or refund for any direct or indirect damage caused by its absence

☞ Pre-filter element (for 3 micron filtration or better) must be replaced at least once a year, or sooner as per manufacturer recommendations.

☞ Do not invert the compressed air inlet and outlet connections.

### 3.2 Operating space

☞ Leave a space of 1.0 m around the unit.



### 3.3 Tips

To prevent damage to the internal parts of the dryer and air compressor, avoid installations where the surrounding air contains solid and/or gaseous pollutants (e.g. sulphur, ammonia, chlorine and installations in marine environments).

The ducting of extracted air is not recommended for versions with axial fans.

### 3.4 Electrical connection

Use approved cable in conformity with the local laws and regulations (for minimum cable section, see par. 8.3).

Install a differential thermal magnetic circuit breaker with contact opening distance 3 mm ahead of the system (RCCB - IDn = 0.3A) (see the relevant current local regulations).

The nominal current In of the magnetic circuit breaker must be equal to the FLA with an intervention curve type D.

### 3.5 Condensate drain connection

If a timed or electronic unloader is installed, use terminals CN (R1-S1)" (see par. 8.8).

For timed and electronic drains: refer to separate manual supplied with the dryer for specific details concerning the condensate drain.

☞ Make the connection to the draining system, avoiding connection in a closed circuit shared by other pressurized discharge lines. Check the correct flow of condensate discharges. Dispose of all the condensate in conformity with current local environmental regulations.

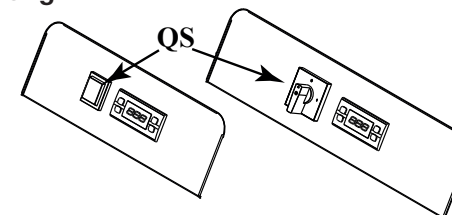
## 4 Commissioning

### 4.1 Preliminary checks

Before commissioning the dryer, make sure:

- installation was carried out according that given in the section 3;
- the air inlet valves are closed and that there is no air flow through the dryer;
- the power supply is correct.

### 4.2 Starting



- Start the dryer before the air compressor by means of the main power



- switch "QS", the display shows "DRY";
- after at least 5 minutes slowly open the air inlet valve and subsequently open the air outlet valve: the dryer is now performing its air drying function.

### 4.3 Operation

- Leave the dryer on during the entire period the air compressor is working;
- the dryer operates in automatic mode, therefore field settings are not required;
- in the event of unforeseen excess air flows, by-pass to avoid overloading the dryer.

### 4.4 Stop

- Stop the dryer 2 minutes after the air compressor stops or in any case after interruption of the air flow;
- do not allow compressed air to flow through the dryer when the latter is not running;
- switch off at the main power switch «QS». The power light goes out and the compressor stops.

# 5 Control



QS	Main power switch
	UP button: press to increase the value of a selected parameter
	DOWN button: press to reduce the value of a selected parameter
	ESC button :returns to the previous level
	SET button : one single press to see the alarms, press for more seconds to enter Menu (Service e Factory)



	(lit) Dew point correct
	(Flashing) warning dew point high/low
	(off) alarm dew point
	(lit) Condensate drain ON
	(off) Condensate drain OFF
	(lit) Multiple alarms
AUX	(Flashing) Warning "maintenance"
°C	Degree
°F	

## 5.1 Parameter settings

There are two levels of protection for parameters:

- a) User (U): with immediate access, **User-changeable**;
- b) Password protected Factory/Service (F/S): password required for access; **Factory-set parameters**.

### Condensate drain

There are two operating modes:

- a) TIMED (TIm) - with draining at intervals and settable time;

in this configuration keep pressed to force the drain to work;

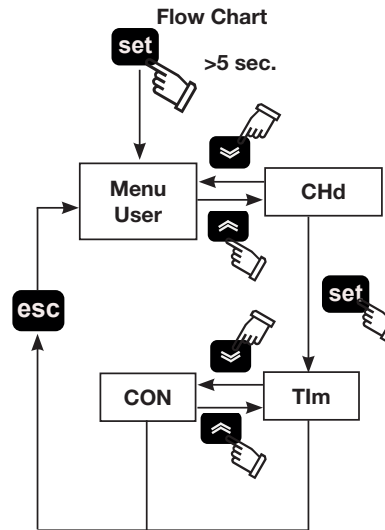


- b) EXTERN (CON) - if there is an external drain.  
For choosing the set proceed as follows::

Press button over 5 seconds to enter on menu U.  
Using buttons and select "CHd" and press to confirm.  
Using buttons and select "TIm" or "CON".  
Press to confirm and exit.  
In the same way it is possible to change interval and discharge times of the drain.

### Parameter table

Code	Definition	Default	Min	Max.
dON	Time ON Drain (sec.)	5	1	60
dOFF	Time OFF Drain( 1=10 sec.)	12	2	270
CHd	Configuration drain	TIm	TIm	CON
ALC	relay alarm/warning	ON	-	-
OFF = relay energised for alarms/warnings ON = relay energised only alarms ST1 = relay energised for No alarms/warnings present ST2 = relay energised for No alarms present				



## Alarms/Warnings



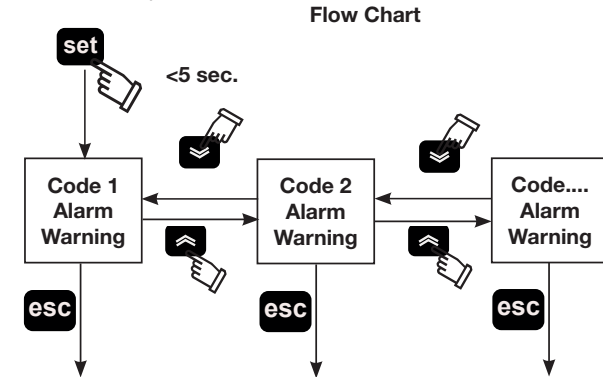
When an alarm is ON, the "alarm/warning code" flashing on display.

Multiple alarms appear in sequence. The symbol appears

In any case you can press to see the alarms, using the buttons and .

Code	Description alarm / warning
---	No alarms present
HdP	Alarm High Dew point
LdP	Alarm Low Dew Point
DSE	Alarm sensor B1 faulti/disconnected
H	Warning High Dew point
L	Warning Low Dew point

Permore per uscire.



## 6 Maintenance

a) The machine is designed and built to guarantee continuous operation; however, the life of its components depends on the maintenance performed;

b) when requesting assistance or spare parts, identify the machine (model and serial number) by reading the data plate located on the unit.

### 6.1 General instructions



Before any maintenance, make sure:

- the pneumatic circuit is no longer pressurized;
- the dryer is disconnected from the main power supply

Always use the Manufacturer's original spare parts: otherwise the Manufacturer is relieved of all liability regarding machine malfunctioning

In case of refrigerant leakage, contact qualified and authorized personnel.

The Schrader valve must only be used in case of machine malfunction: otherwise any damage caused by incorrect refrigerant charging will not be covered by the warranty.

### 6.2 Refrigerant.

Charging: any damage caused by incorrect refrigerant replacement carried out by unauthorized personnel will not be covered by the warranty.



The equipment contains fluorinated greenhouse gases.

At normal temperature and pressure, the R5134a refrigerant is a colourless gas classified in SAFETY GROUP A1 - EN378 (group 2 fluid according to Directive PED 2014/68/EU)

GWP (Global Warming Potential) = 573.



In case of refrigerant leakage, ventilate the room.

### 6.3 Preventive Maintenance Programme

To guarantee lasting maximum dryer efficiency and reliability

Maintenance Activity Description	Maintenance Interval (standard operating conditions)			
	Daily	Weekly	4 Months	12 Months
Check  Service				
Check POWER ON indicator is lit.				
Check control panel indicators.				
Check condensate drain.				
Clean condenser fins.				
Check electrical absorption.				
Depressurize the dryer. Complete drain maintenance.				
Depressurize the dryer. Replace pre- and post-filter elements.				

The following are available (see par. 8.4):

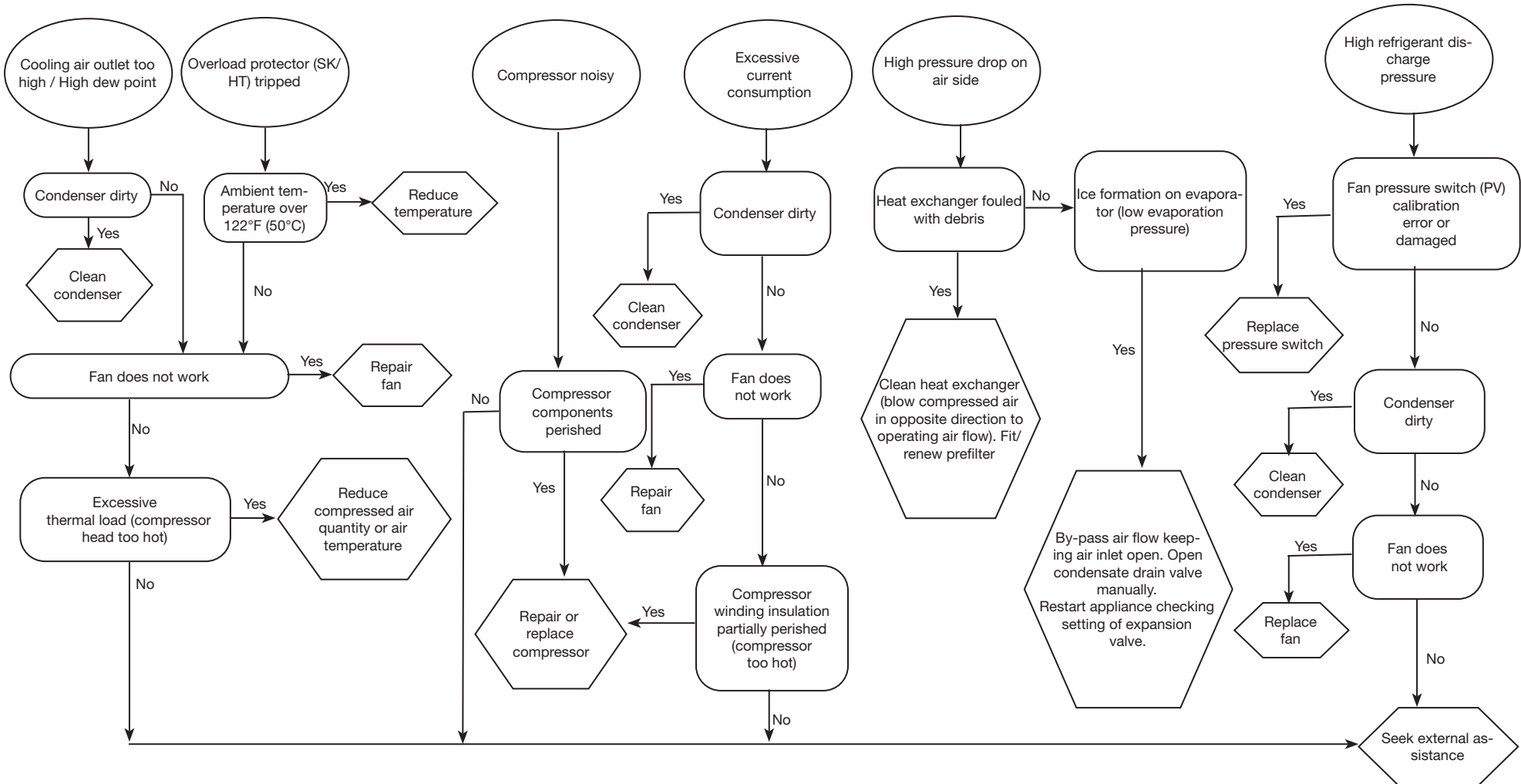
- compressor kits;
- fan kits;
- automatic expansion valve kits;
- individual spare parts.

### 6.4 Dismantling

The refrigerant and the lubricating oil contained in the circuit must be recovered in conformity with current local environmental regulations.

	Recycling Disposal
structural work	steel/epoxy-polyester resins
exchanger	aluminium
pipes	aluminium/copper
drain	polyamide
exchanger insulation	EPS (sintered polystyrene)
pipe insulation	synthetic rubber
compressor	steel/copper/aluminium/oil
condenser	steel/copper/aluminium
refrigerant	R513a
valves	brass
electrical cables	copper/PVC


# 7 Troubleshooting







## Índice





<b>1</b>	<b>Seguridad</b>	<b>1</b>
1.1	Importancia del manual .....	1
1.2	Señales de advertencia .....	1
1.3	Instrucciones de seguridad .....	1
1.4	Riesgos residuales: .....	1
<b>2</b>	<b>Introducción</b>	<b>2</b>
2.1	Transporte.....	2
2.2	Traslado .....	2
2.3	Inspección .....	2
2.4	Almacenaje .....	2
<b>3</b>	<b>Instalación</b>	<b>2</b>
3.1	Modalidades .....	2
3.2	Espacio operativo .....	2
3.3	Consejos.....	2
3.4	Conexión eléctrica.....	2
3.5	Conexión del drenaje de condensados.....	2
<b>4</b>	<b>Puesta en servicio</b>	<b>2</b>
4.1	Controles preliminares.....	2
4.2	Puesta en marcha.....	2
4.3	Funcionamiento .....	2
4.4	Parada .....	2
<b>5</b>	<b>Control</b>	<b>3</b>
5.1	Funciones del controlador.....	3
<b>6</b>	<b>Mantenimiento</b>	<b>4</b>
6.1	Advertencias generales .....	4
6.2	Refrigerante .....	4
6.3	Programa de mantenimiento preventivo .....	4
6.4	Desguace.....	4
<b>7</b>	<b>Solución de problemas</b>	<b>5</b>
<b>8.</b>	<b>Apéndice</b>	
	El significado de los símbolos utilizados se indica en el apartado 8.1.	
8.1	Leyenda	
8.2	Esquema de instalación	
8.3	Datos técnicos	
8.4	Lista de repuestos	
8.5	Dibujos de vista despiezada	
8.6	Dibujos de dimensiones	
8.7	Circuitos de refrigerante	
8.8	Esquema eléctrico	

## 1 Seguridad


### 1.1 Importancia del manual


- Consérvelo durante toda la vida útil del equipo.
- Léalo antes de realizar cualquier operación.
- Puede sufrir modificaciones: para una información actualizada, consulte la versión instalada en el equipo.

### 1.2 Señales de advertencia



	Instrucción para evitar peligros personales
	Instrucción para evitar que se dañe el equipo
	Se requiere la intervención de un técnico experto y autorizado
	El significado de los símbolos utilizados se indica en el apartado 8.


### 1.3 Instrucciones de seguridad

 Antes de realizar cualquier operación de mantenimiento, desconecte siempre la máquina de la red eléctrica.

 El manual está destinado al usuario final y sólo para las operaciones que pueden realizarse con los paneles cerrados. Las operaciones que requieren la apertura con herramientas deben ser efectuadas por personal experto y calificado.

 No supere los límites de proyecto que se indican en la placa de características.

  El usuario debe evitar cargas distintas de la presión estática interna. En caso de riesgo de fenómenos sísmicos, es necesario proteger adecuadamente la unidad..

 Los dispositivos de seguridad en el circuito de aire comprimido están a cargo del usuario.

Los dispositivos de seguridad del circuito del aire comprimido se dimensionan teniendo en cuenta las características técnicas del sistema y las normas locales en vigor.

La unidad debe utilizarse exclusivamente para uso profesional y con el objeto para el cual ha sido diseñada.

El usuario debe analizar todos los aspectos de la aplicación en que el producto se ha instalado, seguir todas las normas industriales de seguridad aplicables y todas las prescripciones relativas al producto descritas en el manual de uso y en la documentación redactada que se adjunta a la unidad.


La alteración o sustitución de cualquier componente por parte del personal no autorizado, así como el uso inadecuado de la unidad eximen de toda responsabilidad al fabricante y provocan

la anulación de la garantía.

El fabricante declina toda responsabilidad presente o futura por daños personales o materiales derivados de negligencia del personal, incumplimiento de las instrucciones dadas en este manual o inobservancia de las normativas vigentes sobre la seguridad de la instalación.

El fabricante no asume ninguna responsabilidad por daños debidos a alteraciones y/o modificaciones del embalaje.

El usuario es responsable que las especificaciones suministradas para seleccionar la unidad o sus componentes y/o opciones sean exhaustivas para un uso correcto o razonablemente previsible de la misma unidad o de los componentes.

 **ATENCIÓN: El fabricante se reserva el derecho de modificar sin previo aviso la información de este manual. Para que la información resulte completa, se recomienda al usuario consultar el manual a pie de máquina.**

### 1.4 Riesgos residuales:

Las operaciones de instalación, puesta en marcha, apagado y mantenimiento del equipo deben realizarse de total conformidad con lo indicado en la documentación técnica del equipo y de manera tal que no se genere ninguna situación de riesgo. Los riesgos que no han podido eliminarse con recursos técnicos de diseño se indican en la tabla siguiente

parte del equipo	riesgo residual	modo	precauciones
batería de intercambio térmico	pequeñas heridas cortantes	contacto	evitar el contacto, usar guantes de protección
rejilla del ventilador y ventilador	lesiones	introducción de objetos puntiagudos en la rejilla mientras el ventilador está funcionando	no introducir ni apoyar ningún objeto en la rejilla de los ventiladores
interior del equipo: compresor y tubo de salida	quemaduras	contacto	evitar el contacto, usar guantes de protección
interior del equipo: partes metálicas y cables eléctricos	intoxicación, electrocución, quemaduras graves	defecto de aislamiento de los cables de alimentación que llegan al cuadro eléctrico del equipo; partes metálicas en tensión	protección eléctrica adecuada de la línea de alimentación; conectar cuidadosamente a tierra las partes metálicas

parte del equipo	riesgo residual	modo	precauciones
exterior del equipo: zona circundante	intoxicación, quemaduras graves	incendio por cortocircuito o sobrecalentamiento de la línea de alimentación del cuadro eléctrico del equipo	sección de los cables y sistema de protección de la línea de alimentación eléctrica conformes a las normas vigentes

## 2 Introducción

Este manual se refiere a secadores frigoríficos diseñados para garantizar alta calidad del aire comprimido.

### 1.5 Transporte

El equipo embalado debe mantenerse:

- en posición vertical;
- protegido de los agentes atmosféricos;
- protegido de golpes.

### 1.6 Traslado

Utilice una carretilla elevadora con horquillas, adecuada para el peso del equipo, y evite todo tipo de golpes.

### 1.7 Inspección

- Los equipos salen de fábrica ensamblados, cableados, cargados con refrigerante y aceite, y probados en las condiciones de trabajo nominales.
- Controle el equipo a su llegada y notifique inmediatamente al transportista si nota algún inconveniente.
- Desembale el equipo lo más cerca posible del lugar de instalación.

### 1.8 Almacenaje

Si es necesario apilar varios equipos, respete las indicaciones impresas en el embalaje. Conserve el equipo en un lugar limpio y protegido de la humedad y la intemperie.

## 3 Instalación

### 1.9 Modalidades

Instale el secador bajo cubierto, en un lugar limpio y protegido de los agentes atmosféricos directos, incluida la luz solar.

☞ Respete las indicaciones dadas en los apartados 8.2 y 8.3. Todos los secadores deben contar con una adecuada prefiltración instalada cerca de la entrada de aire del secador. El vendedor no tendrá ninguna responsabilidad ni obligación de compensación por daño directo o indirecto causado por la ausencia de prefiltración adecuada

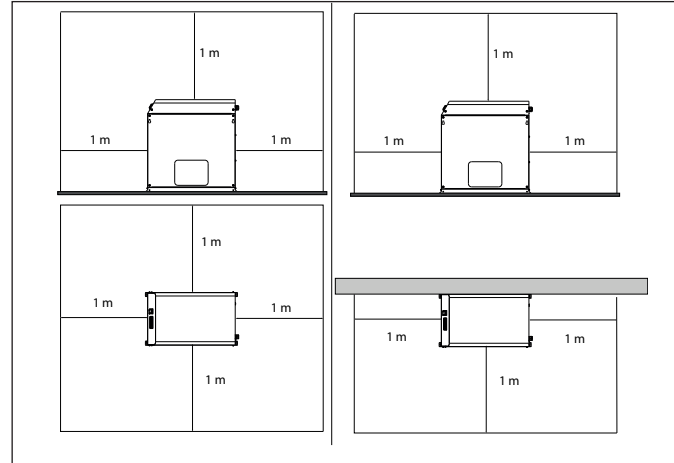
☞ El elemento de prefiltro (para filtración de 3 micrones o me-

yor) debe ser sustituido al menos una vez al año o antes, según las recomendaciones del fabricante.

☞ No intercambie la entrada y la salida de aire comprimido.

### 1.10 Espacio operativo

☞ Deje un espacio libre de 1.0 m todo alrededor del equipo.  
 Instalación de piso Montado en la pared



### 1.11 Consejos

A fin de proteger los componentes internos del secador y del compresor de aire, no instale el equipo donde el aire circundante contenga contaminantes sólidos o gaseosos, en particular azufre, amoníaco y cloro. Evite también la instalación en ambiente marino.

### 1.12 Conexión eléctrica

Utilice un cable homologado con arreglo a las reglamentaciones locales (para la sección mínima del cable, vea el apartado 8.3). Instale un interruptor magnetotérmico diferencial aguas arriba del equipo (RCCB - IDn = 0,3 A) con distancia 3 mm entre los contactos cuando el interruptor está abierto (consulte las disposiciones locales al respecto).

La corriente nominal "In" de dicho magnetotérmico debe ser igual a FLA y la curva de intervención de tipo D.

### 1.13 Conexión del drenaje de condensados

En presencia de un dispositivo de drenaje temporizado o electrónico, utilice los bornes CN (R1-S1) (vea el apartado 8.8). En el caso de drenaje por temporizador o electrónico: consulte el manual aparte proporcionado con el secador para conocer detalles específicos sobre el drenaje de condensado.

☞ Para conectar el equipo al sistema de drenaje, evite la conexión en circuito cerrado en común con otras líneas de descarga presurizadas. Compruebe que los condensados fluyan correctamente. Deseche los condensados con arreglo a las normas medioambientales vigentes.

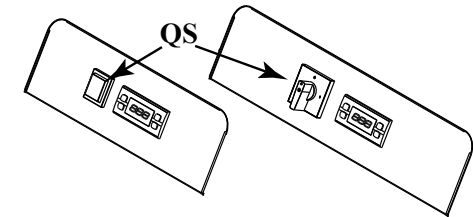
## 4 Puesta en servicio

### 1.14 Controles preliminares

Antes de poner el secador en marcha, compruebe que:

- la instalación se haya realizado de acuerdo con lo indicado en el capítulo 3;
- las válvulas de entrada de aire estén cerradas y no haya flujo de aire a través del secador;
- la alimentación eléctrica tenga los valores apropiados;

### 1.15 Puesta en marcha



d) Ponga en marcha primero el secador y después el compresor de aire, mediante el interruptor general "QS" El panel de

control muestra "DRY" .

e) Al cabo de cinco minutos o más, abra lentamente las válvulas de entrada de aire y, después, la salida de aire. El secador comienza a funcionar.

### 1.16 Funcionamiento

- Deje el secador en marcha durante todo el tiempo de funcionamiento del compresor de aire.
- El secador funciona de modo automático, por lo cual no hace falta realizar calibraciones antes de utilizarlo.
- En el caso de flujos de aire excesivo imprevistos, desvíelos para evitar sobrecargar la secadora.

### 1.17 Parada

- Pare el secador dos minutos después de haber detenido el compresor de aire o, en todo caso, después que se corte el flujo de aire.
- Evite que entre aire comprimido en el secador cuando no está en marcha;
- Desconecte la tensión con el interruptor general «QS»; el piloto de línea se apaga junto con el compresor.

# 5 Control



b) EXTERIOR (CON) - en presencia de descargador exterior.  
Para realizar el ajuste:

Pulsar la tecla **set** más de 5 segundos para entrar en el menú U.  
Utilizando las teclas **↵** y **⏏** seleccionar "CHd" y pulsar **set** para confirmar.

Con **↵** y **⏏** seleccionar "TIm" o "CON".

Pulsar **esc** para salir y confirmar el valor.

De la misma manera es posible cambiar los intervalos y los tiempos de descarga del descargador.

### Tabla de parámetros:

Código	Definición	Default	Mín.	Máx.
dON	Tiempo de descarga en ON (sec.)	5	1	60
dOFF	Tiempo de descarga en OFF (1 = 10 sec.)	12	2	270
CHd	Configuración descargador	TIm	TIm	CON
ALC	relé Alarma/Aviso	ON	-	-

OFF = relé activado para Alarma/Aviso  
ON = relé activado solo para alarma  
ST1 = relé activado para No hay Alarma/Aviso  
ST2 = relé activado para No hay Alarma

<b>QS</b>	Interruptor seccionador
<b>↵</b>	Tecla FLECHA ARRIBA: para aumentar el valor de los parámetros modificables
<b>⏏</b>	Tecla FLECHA ABAJO: para reducir el valor de los parámetros modificables
<b>esc</b>	Tecla ESC: para salir y volver al nivel anterior
<b>set</b>	Tecla SET: pulsar una vez para ver las alarmas; pulsar de manera prolongada para acceder a los menús (User, Service y Factory)



	(Encendido) Punto de rocío correcto
	(Intermitente) Aviso de alto/bajo punto de rocío
	(Apagada) Alarma punto de rocío
	(Encendido) Descargador ON
	(Apagada) Descargador OFF
	(Encendido)- Varias alarmas
<b>AUX</b>	(Intermitente) Aviso "Mantenimiento"
<b>°C</b> <b>°F</b>	Grados

## 1.18 Funciones del controlador

### Generalidades

Existen dos niveles de protección para los parámetros:

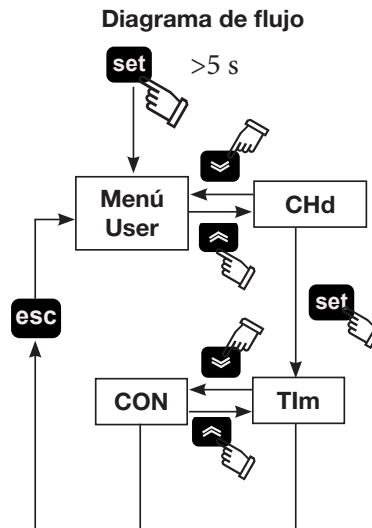
- a) User (U): con acceso inmediato, **Modificables**;
- b) Bajo contraseña Factory/Service (F/S): acceso con contraseña;

### Parámetros a no modificar.

### Descarga de condensado

Existen dos modos de funcionamiento:

- a) TEMPORIZADO (TIm) - descarga con intervalos y duración programables;  
con esta configuración, manteniendo pulsada la tecla **set**, se puede activar la descarga forzada del condensado;



## Alarmas/Avisos



Al dispararse una alarma, el "Código alarma/aviso" se enciende en pantalla de manera intermitente.

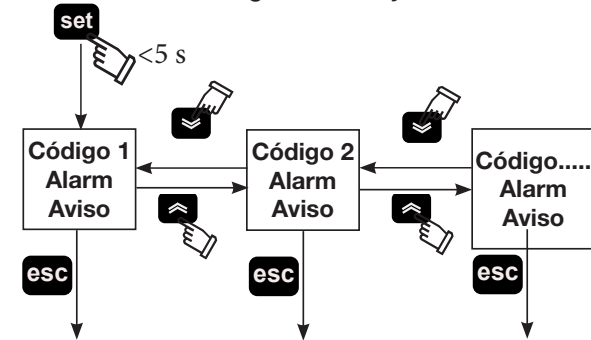
Si hay varias alarmas, aparecen en secuencia, aparece el símbolo .

En ambos casos, pulsando la tecla **set** es posible ver la alarma/aviso; si hay varias alarmas, es posible verlas desplazándose con las teclas **↵** y **⏏**.

Código	Descripción alarma / aviso
---	No hay alarmas
HdP	Alarma de alto punto de rocío
LdP	Alarma de bajo punto de rocío
DSE	Alarma sonda B1 averiada/no conectada
H	Aviso de alto punto de rocío
L	Aviso de bajo punto de rocío

Pulsar **esc** para salir.


### Diagrama de flujo




## 6 Mantenimiento


- a) El equipo ha sido diseñado y realizado para funcionar de manera continua. No obstante, la duración de sus componentes depende directamente del mantenimiento que reciban.
- b) Para solicitar asistencia o repuestos, comuníquese el modelo y el número de serie indicados en la placa de datos que está aplicada en el exterior del equipo.


### 1.19 Advertencias generales

 Antes de realizar cualquier operación de mantenimiento, compruebe que:


- el circuito neumático no esté a presión,
- el secador esté desconectado de la red eléctrica.


 El uso de repuestos no originales exime al fabricante de toda responsabilidad por el mal funcionamiento del equipo.

 En caso de pérdida de refrigerante, llame a un técnico experto y autorizado.

 La válvula Schrader debe utilizarse sólo en caso de funcionamiento anómalo del equipo; de lo contrario, los daños causados por una carga incorrecta de refrigerante no serán reconocidos en garantía.

### 1.20 Refrigerante





Operación de carga: los daños causados por una carga del refrigerante incorrecta realizada por personal no autorizado no serán reconocidos en garantía. 

 El aparato contiene gases fluorados de efecto invernadero. El fluido refrigerante R513a, a temperatura y presión normales, es un gas incoloro perteneciente al SAFETY GROUP A1 - EN378 (fluido del grupo 2 según la directiva PED 2014/68/UE); GWP (Global Warming Potential) = 573.

 En caso de fuga de refrigerante, airee el local.

### 1.21 Programa de mantenimiento preventivo

Per garantire nel tempo la massima efficienza ed affidabilità dell'essiccatore eseguire:



Acciones de mantenimiento	Intervalo de tiempo (condiciones de funcionamiento estándar)			
	Diarias	Semanales	4 Meses	12 Meses
comprobar  actuar 				
Comprobar que el indicador POWER ON está encendido.				
Comprobar todos los indicadores del panel de control.				
Comprobar el purgador.				
Limpiar el condensador, rejilla y conexiones.				
Comprobar el consumo eléctrico.				
Despresurizar la instalación. Hacer mantenimiento integral del purgador.				
Despresurizar la instalación. Sustituir todos los elementos filtrantes de los filtros instalados.				

Están disponibles (apartado 8.4):

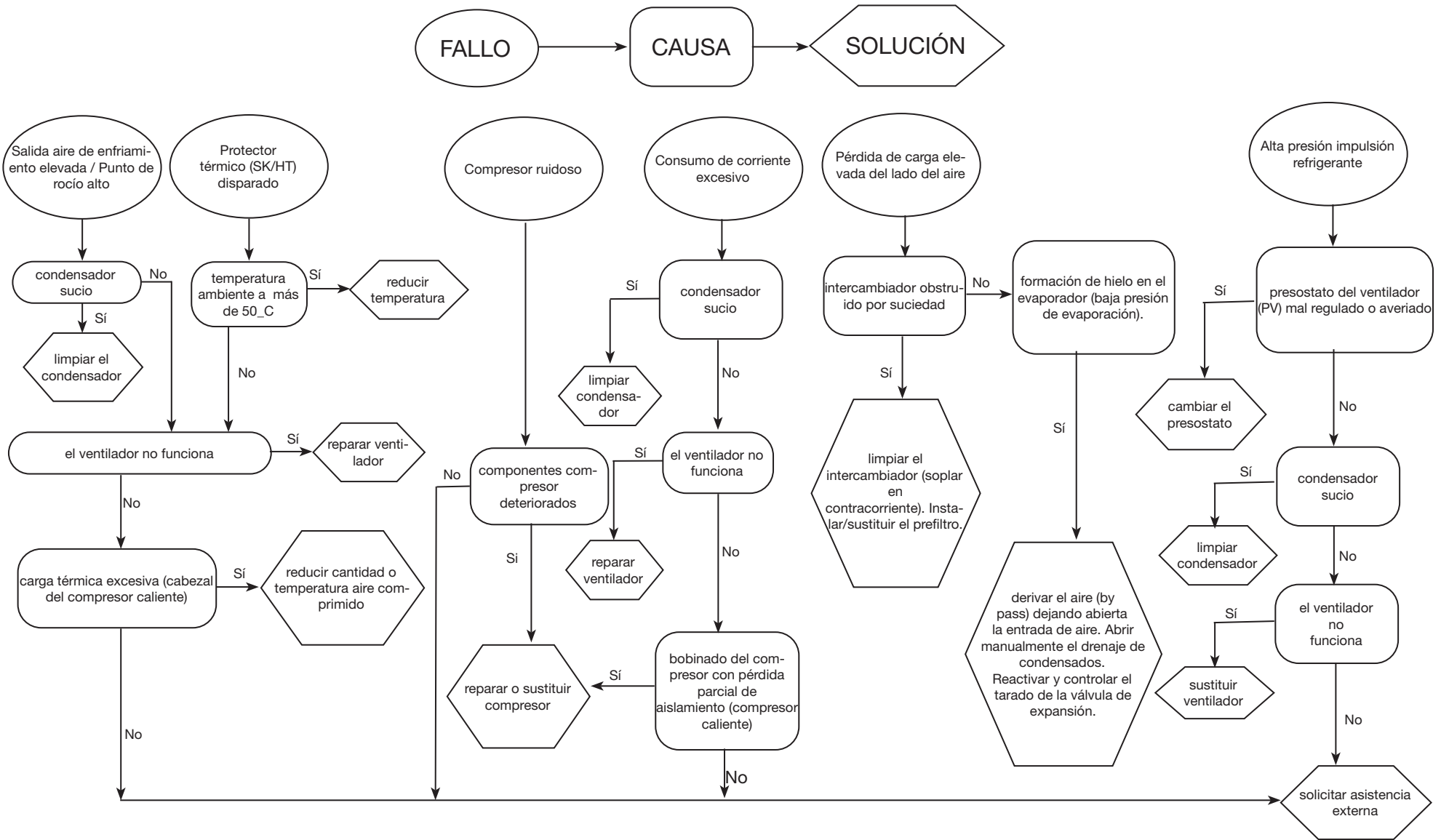
- kits compresor
- kits ventilador
- kits válvula de expansión automática
- piezas de repuesto individuales

### 1.22 Desguace

El fluido refrigerante y el aceite lubricante contenidos en el circuito deben recogerse de conformidad con las normas locales.

	Reciclaje Desecho 
estructura	acero/resinas epoxi-poliéster
intercambiador	aluminio
tuberías	aluminio/cobre
drenaje condensados	polyamide
aislamiento intercambiador	EPS (poliestireno sinterizado)
aislamiento tuberías	caucho sintético
compresor	acero/cobre/aluminio/aceite
condensador	acero/cobre/aluminio
refrigerante	R513a
válvulas	latón
cables eléctricos	cobre/PVC

# 7 Solución de problemas





## Sommaire

<b>1. Sécurité</b> .....	<b>1</b>
1.1 Importance de la notice.....	1
1.2 Signaux d'avertissement.....	1
1.3 Consignes de sécurité.....	1
1.4 Risques résiduels.....	2
<b>2. Introduction</b> .....	<b>2</b>
2.1 Transport.....	2
2.2 Manutention.....	2
2.3 Inspection ou visite.....	2
2.4 Stockage.....	2
<b>3. Installation</b> .....	<b>2</b>
3.1 Procédure.....	2
3.2 Espace de travail.....	2
3.3 Recommandations.....	2
3.4 Raccordement électrique.....	2
3.5 Raccordement purgeur des condensats.....	2
<b>4. Mise en service</b> .....	<b>2</b>
4.1 Contrôles préliminaires.....	2
4.2 Mise en marche.....	2
4.3 Fonctionnement.....	2
4.4 Arrêt.....	2
<b>5. Contrôle</b> .....	<b>3</b>
5.1 Fonctions du contrôleur.....	3
<b>6. Entretien</b> .....	<b>4</b>
6.1 Recommandations générales.....	4
6.2 Réfrigérant.....	4
6.3 Programme d'entretien préventif.....	4
6.4 Mise au rebut.....	4
<b>7. Dépannage</b> .....	<b>5</b>
<b>8. Appendice</b>	
Sont présents des symboles dont la signification est donnée au paragraphe 8.1.	
8.1 Légende	
8.2 Schéma d'installation	
8.3 Caractéristiques techniques	
8.4 Liste des pièces de rechange	
8.5 Vues éclatées	
8.6 Cotes	
8.7 Circuits de fluide frigorigène	
8.8 Schéma électrique	

# 1 Sécurité

## 1.1 Importance de la notice

- La notice doit être conservée pendant toute la durée de vie de la machine.
- Lire la notice avant toute opération ou intervention.
- La notice est sujette à modifications : pour une information actualisée, consulter la version à bord de la machine.

## 1.2 Signaux d'avertissement

	Instructions pour éviter de faire courir des risques aux personnes.
	Instructions à suivre pour éviter de faire subir des dégâts à l'appareil.
	La présence d'un professionnel qualifié et agréé est exigée
	Sont présents des symboles dont la signification est donnée au paragraphe 8.

## 1.3 Consignes de sécurité

Toujours débrancher la machine du réseau d'alimentation électrique pendant les interventions d'entretien.

La notice s'adresse à l'utilisateur final uniquement pour les opérations pouvant être effectuées panneaux fermés ; par contre, les opérations qui nécessitent l'ouverture avec des outils doivent être confiées à un professionnel expert et qualifié.

Ne pas dépasser les limites définies par le projet, qui sont indiquées sur la plaque des caractéristiques.

Il incombe à l'utilisateur d'éviter des charges différentes de la pression statique interne. En cas de risque d'activité sismique, l'unité doit être convenablement protégée.

Les dispositifs de sécurité sur le circuit d'air sont à la charge de l'utilisateur.

Le dimensionnement des dispositifs de sécurité du circuit de l'air comprimé doit être réalisé en tenant compte des caractéristiques techniques de l'installation et de la réglementation locale en vigueur.

N'utiliser l'unité que pour un usage professionnel et pour la destination prévue par le constructeur.

Il incombe à l'utilisateur d'analyser tous les aspects de l'application pour laquelle l'unité est installée, de suivre toutes les consignes industrielles de sécurité applicables et toutes les prescriptions inhérentes au produit contenues dans le manuel d'utilisation et dans tout autre documentation réalisée et fournie

avec l'unité.

La modification ou l'adaptation ou le remplacement d'un composant quelconque par une personne non autorisée et/ou l'usage impropre de l'unité dégagent le constructeur de toute responsabilité et comportent l'annulation de la garantie.

Le constructeur ne saurait être tenu pour responsable pour tous les dommages matériels aux choses ou à l'unité et pour tous les dommages physiques aux personnes dérivant d'une négligence des opérateurs, du non-respect de toutes les instructions de la présente notice, de l'inapplication des normes en vigueur concernant la sécurité de l'installation.

La responsabilité du constructeur est dégagée pour tous les dommages ou dégâts éventuels pouvant résulter de manipulations malveillantes et/ou de modifications de l'emballage.

L'utilisateur doit s'assurer que les conditions fournies pour la sélection de l'unité ou de ses composants et/ou options sont parfaitement conformes pour une utilisation correcte de cette même unité ou de ses composants.

**ATTENTION: Le fabricant se réserve le droit de modifier sans aucun préavis les informations contenues dans ce manuel. Afin de disposer d'informations complètes et actualisées, il est recommandé à l'utilisateur de consulter le manuel présent à bord de l'unité.**

## 1.4 Risques résiduels

L'installation, la mise en marche, l'arrêt et l'entretien de la machine doivent être effectués conformément aux dispositions prévues par la documentation technique du produit et, quoiqu'il en soit, de manière à ne créer aucune situation de risque.

Les risques n'ayant pu être éliminés en phase de conception sont indiqués dans le tableau suivant.

partie concernée	risque résiduel	modalité	précautions
batterie d'échange thermique	petites coupures	contact	éviter tout contact, porter des gants de protection
grille ventilateur et ventilateur	lésions	introduction d'objets pointus à travers la grille lors du fonctionnement du ventilateur	n'introduire aucune sorte d'objets dans la grille des ventilateurs et ne poser aucun objet sur les grilles
partie interne de l'unité : compresseur et tuyau de refoulement	brûlures	contact	éviter tout contact, porter des gants de protection

partie concernée	risque résiduel	modalité	précautions
partie interne de l'unité : parties métalliques et câbles électriques	intoxications, brûlures graves	incendie dû à un court-circuit ou une surchauffe de la ligne d'alimentation en amont du tableau électrique de l'unité	section des câbles et système de protection de la ligne d'alimentation électrique conformes aux normes en vigueur
partie externe de l'unité : zone environnante de l'unité	intoxications, brûlures graves	incendie dû à un court-circuit ou une surchauffe de la ligne d'alimentation en amont du tableau électrique de l'unité	section des câbles et système de protection de la ligne d'alimentation électrique conformes aux normes en vigueur

## 2 Introduction

Cette notice traite des sècheurs frigorifiques développés et mis au point pour garantir une haute qualité de traitement de l'air comprimé.

### 2.1 Transport

L'unité emballée doit rester :

- en position verticale ;
- à l'abri des intempéries ;
- à l'abri des chocs.

### 2.2 Manutention

Utiliser un chariot élévateur d'une capacité suffisante à soulever le poids de la machine. Éviter tous chocs pendant la manutention.

### 2.3 Inspection ou visite

- En usine, toutes les unités sont assemblées, câblées, chargées avec du réfrigérant et de l'huile et testées dans les conditions de travail normales ;
- après réception de la machine, l'examiner soigneusement pour vérifier son état : recourir contre le transporteur pour les dommages éventuellement survenus au cours du transport ;
- déballer l'unité le plus près possible de son lieu d'implantation..

### 2.4 Stockage

En cas d'empilage de plusieurs unités, suivre les instructions inscrites sur l'emballage. Conserver l'unité dans son emballage en un lieu propre et à l'abri de l'humidité et des intempéries.

## 3 Installation

### 3.1 Procédure

Installer le sècheur en un endroit propre et à l'abri des in-

tempéries et du rayonnement solaire.

⚠ Le produit installé doit être convenablement protégé contre les risques d'incendie (réf. EN378-3).

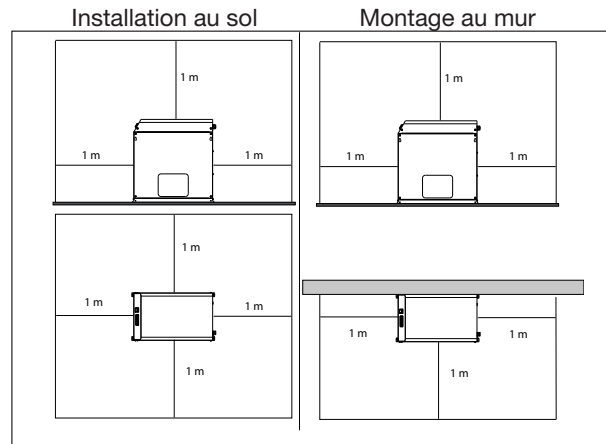
☞ Respecter les indications des paragraphes 8.2 et 8.3. Tous les sècheurs doivent être équipés d'une préfiltration adéquate située à immédiate proximité de l'entrée du sècheur. Le revendeur se dégage de toute responsabilité en cas de dommage direct ou indirect causé par l'absence de ce préfiltre

☞ L'élément préfiltrant (filtration des particules de 3 microns minimum) doit être remplacé une fois par an ou plus, selon les recommandations du fabricant.

☞ Ne pas intervertir l'arrivée (ou entrée) et la sortie de l'air comprimé.

### 3.2 Espace de travail

☞ Prévoir un espace de dégagement de 1.0 m autour de l'unité.



### 3.3 Recommandations

Pour ne pas endommager les composants internes du sècheur et du compresseur d'air, éviter des installations où l'air des zones environnantes contient des contaminants : attention donc au soufre, à l'ammoniac, au chlore et aux installations en milieu marin.

Pour les versions avec ventilateurs axiaux, il est déconseillé de canaliser l'air épuisé.

### 3.4 Raccordement électrique

Utiliser un câble homologué aux sens des normes françaises en matière d'électricité et de la réglementation locale (pour la section minimale du câble, voir paragraphe 8.3).

Installer l'interrupteur magnéto-thermique différentiel en amont de l'installation (RCCB - IDn = 0.3A) avec une distance d'ouverture des contacts 3 mm (voir réglementation locale en vigueur en la matière et s'y conformer).

Le courant nominal «In» de ce disjoncteur magnéto-thermique doit être égal à FLA et la courbe de déclenchement de type D.

### 3.5 Raccordement purgeur des condensats

En présence d'un purgeur temporisé ou électronique, utiliser les bornes CN (R1-S1) (voir paragraphe 8.8).

Pour les drains dotés de minuterie ou électroniques : se reporter au manuel individuel fourni pour le séchoir pour obtenir de plus amples détails sur le drain de condensats.

☞ Réaliser le raccordement au système de décharge en évitant le raccordement en circuit fermé en commun avec les autres circuits de décharge pressurisés. Contrôler que les systèmes de décharge évacuent régulièrement les condensats. Évacuer tous les condensats conformément à la législation antipollution en vigueur.

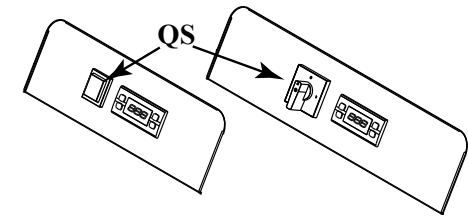
## 4 Mise en service

### 4.1 Contrôles préliminaires

Avant de mettre le sècheur en marche, s'assurer que :

- l'installation a été réalisée selon les dispositions du chapitre 3 ;
- les vannes d'entrée d'air sont fermées et qu'il ne circule pas d'air dans le sècheur ;
- l'alimentation fournie est correcte ;

### 4.2 Mise en marche



- Mettre en route le sècheur avant de démarrer le compresseur d'air en actionnant l'interrupteur général «QS» le panne-

au de commande affiche «DRY»  ;;

- après 5 minutes, ouvrir lentement les soupapes d'arrivée d'air, puis de sortie d'air: le sècheur fonctionne à présent.

### 4.3 Fonctionnement

- Laisser le sècheur en fonction pendant toute la période de fonctionnement du compresseur d'air ;
- le sècheur fonctionne en mode automatique et donc ne



- nécessite aucun réglage in situ ;  
 c) en cas de débit d'air excessif imprévu, effectuer une dérivation pour éviter de surcharger le séchoir ;

#### 4.4 Arrêt

- a) Fermare l'essiccatore 2 minuti dopo l'arresto del compressore d'aria o comunque dopo l'interruzione del flusso d'aria;  
 b) evitare che aria compressa fluisca nell'essiccatore quando non è funzionante;  
 togliere tensione tramite l'interruttore generale «QS», la lampada di linea si spegne assieme al compressore.

## 5 Contrôle



QS	Interrupteur sectionneur
	Bouton SU (haut) : pour augmenter la valeur des paramètres modifiables
	Bouton GIU' (bas) : pour diminuer la valeur des paramètres modifiables
	Bouton ESC : pour sortir et revenir au niveau précédent
	Bouton SET : une seule pression pour afficher les alarmes, une pression prolongée pour accéder aux menus (User, Service et Factory - Utilisateur, Services, Usine)



	(Allumée) Point de rosée correct
	(Clignote) Avertissement Point de rosée haut/bas
	(Eteint) Alarme Point de rosée
	(Allumée) Purge des condensats ON
	(Eteint) Purge des condensats OFF
	(Allumée) Plusieurs alarmes
AUX	(Clignote) Avertissement "Entretien"
°C	Degré
°F	

### 5.1 Fonctions du contrôleur

Il existe deux niveaux de protection des paramètres :

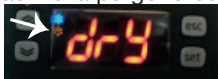
- a) User (U) : accès immédiat, modifiables ;  
 b) Par mot de passe Factory/Service (F/S) : accès par mot de passe ; Paramètres à ne pas modifier.

Purge condensation

Deux modes de fonctionnement :

- a) TEMPORISÉ (TIm) - purge à intervalles et durées programmables ;

dans cette configuration, en maintenant la pression sur , on active la purge forcée de la condensation ;



- b) EXTÉRIEUR (CON) - en présence d'un purgeur de condensation extérieur.

Pour régler le point de consigne procéder comme suit :

Appuyer la touche pendant plus de 5 secondes pour entrer dans le menu U.

En utilisant les touches et sélectionner « CHd » et

appuyer pour confirmer.

Avec et sélectionner « TIm » ou « CON » .

Appuyer pour sortir et confirmer la valeur.

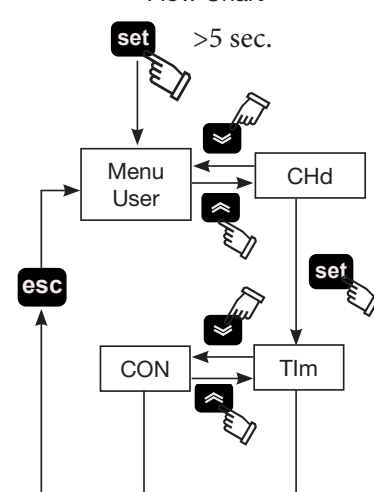
Il est également possible de modifier les intervalles et les temps de purge.

Table des paramètres :

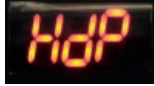
Code	Définition	Défaut	Min	Max.
dON	Temps de purge en ON (sec.)	5	1	60
dOFF	Temps de purge en OFF (1 = 10 sec.)	12	2	270
CHd	Configuration purgeur	TIm	TIm	CON
ALC	relais Alarme/Avertissement	ON	-	-

OFF = relais excité pour alarmes/Avertissements  
 ON = relais excité pour alarmes  
 ST1 = relais excité pour Aucune alarme/Avert. présente.  
 ST2 = relais excité pour Aucune alarme présente.

Flow Chart



Alarmes/Avertissements



En cas d'alarme, le «code Alarme/Avertissement» clignote sur l'afficheur.

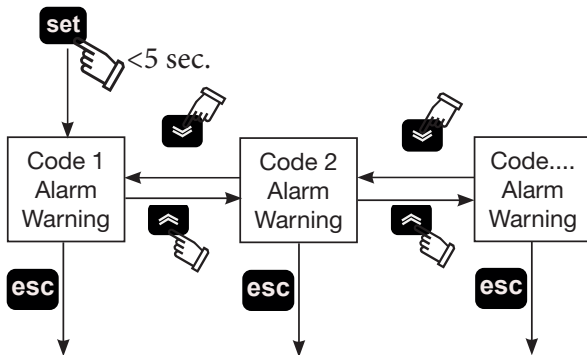
En présence de plusieurs alarmes, elles s'affichent en séquence. Symbole apparaît (••).

Dans tous les cas, en appuyant la touche **set** on visualise l'alarme/avertissement intervenus. En présence de plusieurs alarmes, on peut les faire défiler par les touches **↕** et **↕**.

Code	Description alarme / avertissement
---	Aucune alarme présente
HdP	Alarme Point de rosée haut
LdP	Alarme Point de rosée bas
DSE	Alarme sonde B1 en panne/non connectée
H	Avertissement Point de rosée haut
L	Avertissement Point de rosée bas

Appuyer **esc** pour sortir.

Flow Chart



## 6 Entretien

- a) La machine est conçue et construite pour garantir un fonctionnement continu ; la durée de ses composants dépend cependant directement de l'entretien effectué ;
- b) en cas de demande d'assistance ou de pièces détachées, identifier la machine (modèle ou numéro de série) en lisant la plaque d'identification placée sur la carrosserie de l'unité.

### 6.1 Recommandations générales

⚠ Avant toute opération d'entretien, s'assurer que :

- le circuit d'air comprimé n'est plus sous pression ;
- que le sècheur soit débranché du réseau d'alimentation électrique.

🔧 Utiliser toujours des pièces de rechange d'origine ; dans le cas contraire, le constructeur est dégagé de toute responsabilité pour le mauvais fonctionnement de la machine.

🔧 En cas de fuite du réfrigérant, appeler un professionnel qualifié et agréé par le constructeur.

🔧 La vanne ou valve Schrader ne doit être utilisée qu'en cas d'anomalie de fonctionnement de la machine : dans le cas contraire, les dommages causés par une charge de réfrigérant incorrecte ne seront pas reconnus au titre de la garantie.

### 6.2 Réfrigérant

Opération de charge : les dommages éventuels causés par une charge incorrecte de réfrigérant effectuée par un personnel non habilité ne seront pas reconnus au titre de la garantie. ⚠

🔧 L'appareil contient des gaz à effet de serre fluorés. Le fluide frigorigène R513A à température et pression normales est un gaz incolore appartenant au SAFETY GROUP A1 - EN378 (fluide groupe 2 selon la directive PED 2014/68/UE); GWP (Global Warming Potential) = 573.

⚠ En cas de fuite de réfrigérant, aérer le local.

### 6.3 Programme d'entretien préventif

Pour une efficacité et une fiabilité maximales durables du sècheur, effectuer :



Description opération d'entretien	Périodicité d'entretien recommandée (conditions de fonctionnement standard)			
	Tous les jours	Toutes les semaines	Tous les 4 mois	Tous les 12 mois
Opération contrôler  service				
Contrôler que le témoin POWER ON est allumé				
Contrôler les indicateurs du tableau des commandes.				
Contrôler le purgeur des condensats.				
Nettoyer les ailettes du condenseur				
Contrôler la consommation électrique.				
Dépressurisation de l'installation. Effectuer l'entretien du purgeur.				
Dépressurisation de l'installation. Remplacer les éléments du préfiltre et du post-filtre.				

Sont disponibles (voir paragraphe 8.4) :

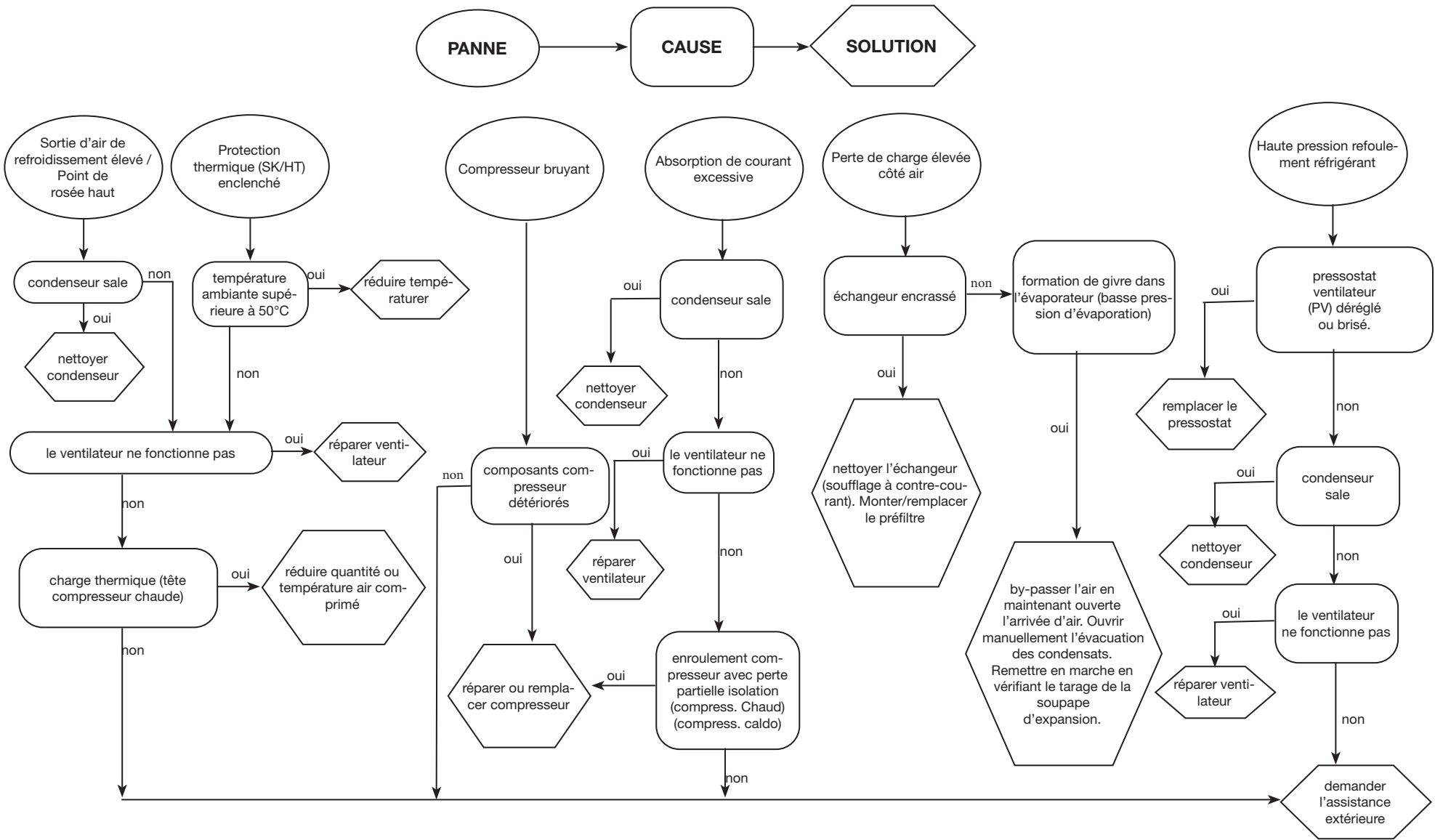
- a) kits compresseur ;
- b) kits ventilateur ;
- c) kits vanne automatique d'expansion ;
- d) pièces détachées.

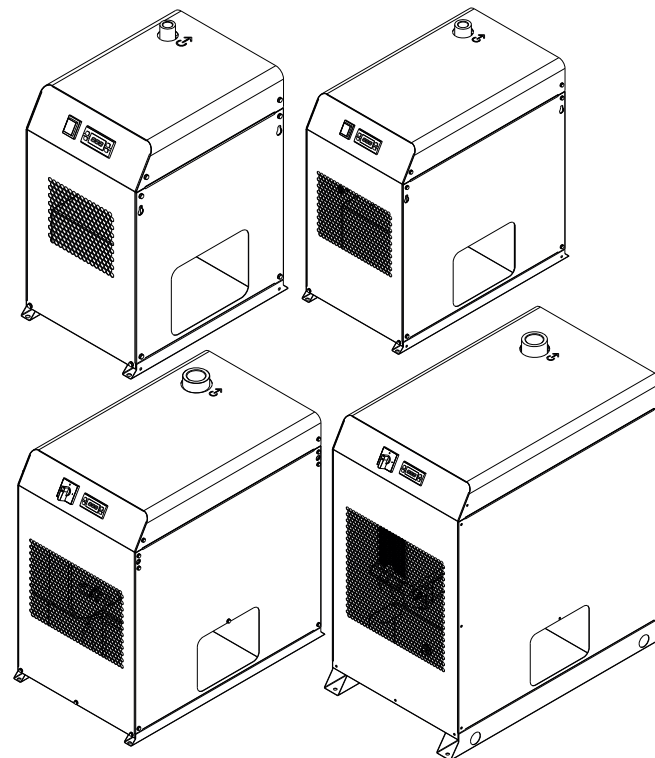
#### 6.4 Mise au rebut

Le fluide frigorigène et le lubrifiant (huile) contenus dans le circuit devront être récupérés selon la législation antipollution. La récupération du fluide réfrigérant est effectuée avant la destruction définitive de l'équipement ((UE) N° 517/2014 art.8).

	Recyclage Élimination 
charpenterie (ossature)	acier/résines époxy-polyester
échangeur	aluminium
tuyauteries	aluminium/cuivre
purgeur	polyamide
isolation échangeur	EPS (polystyrène fritté)
isolation tuyauteries	caoutchouc synthétique
compresseur	acier/cuivre/aluminium/huile
condenseur	acier/cuivre/aluminium
réfrigérant	R513A
valves ou vannes	laiton
câbles électriques	cuivre/PVC

# 7 Dépannage



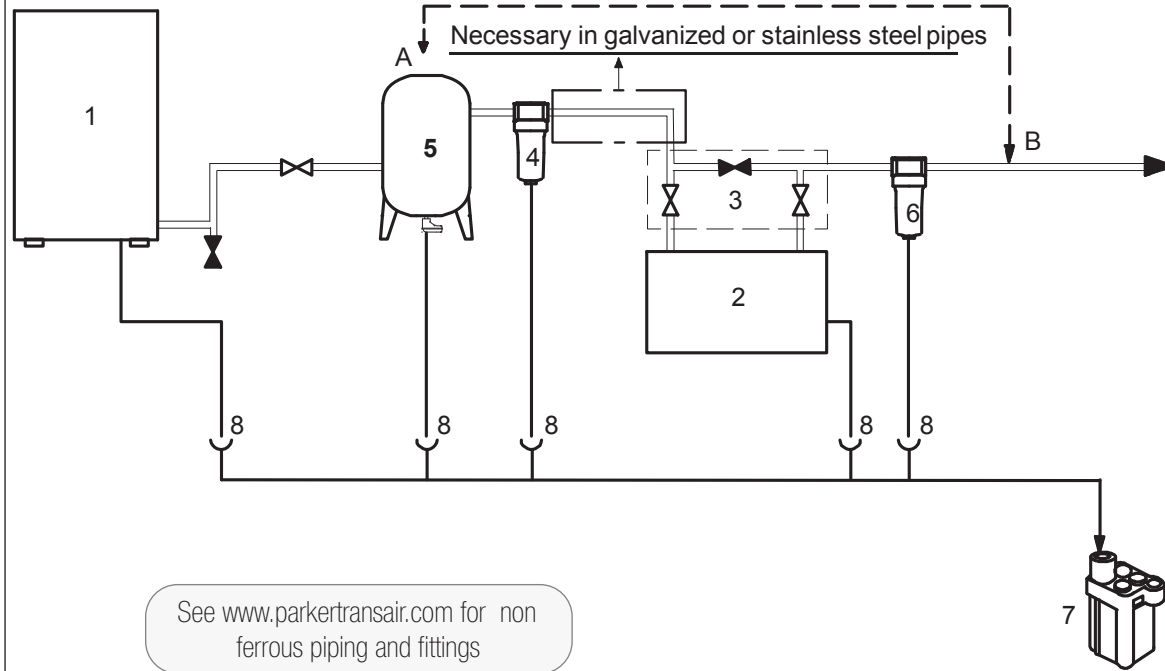


## Contents

8.1 LEGEND	2
8.2 INSTALLATION DIAGRAM	3
8.3 TECHNICAL DATA	6
8.4 SPARE PARTS	5
8.5 EXPLODED DRAWING	6
8.6 DIMENSIONAL DRAWING	7
8.7 REFRIGERANT CIRCUIT	10
8.8 WIRING DIAGRAM	12

Symbol	/EN/ES/FR	Symbol	/EN/ES/FR	Symbol	/EN/ES/FR
	Weight / Peso/ Poids /	① <b>MC</b>	/ Compressor / Compresor / Compresseur	<b>C</b>	/ Compressor starting capacitor / Condensador de puesta en marcha compresor / Condensateur de démarrage compresseur
	/ Ambient temperature / Temperatura ambiente / Température Ambiente	②	/ Refrigerant condenser / Condensador refrigerante / Condenseur réfrigérant		
	/ During transport and stockage / Durante transporte y almacenaje / Pendant le transport et le stockage	③ <b>EV</b>	/ Fan motor / Electroventilador / Électroventilateur	<b>QF</b>	/ Residual-current automatic circuit breaker / Interruptor magneto-térmico diferencial / Interrupteur magnéto-thermique différentiel
	/ After installation / Después de la instalación / Après l'installation	④	/ Evaporator / Evaporador / Évaporateur		
	/ Air-side max. working pressure / Presión máxima de trabajo lado aire / Pression maximum d'utilisation côté air	⑥	/ Power cable / Cable alimentación eléctrica/ Câble alimentation électrique		
	/ Compressed air inlet temperature / Temperatura entrada aire comprimido / Température entrée air comprimé	⑦ <b>AEV</b>	/ Expansion automatic valve / Soupape de détente automatique / Válvula de expansión automática		
	/ Minimum section validated cable for electrical connection. / Sección mínima cable homologado para conexión Eléctrico / Section minimale câble homologué pour le raccordement électrique.	⑧	/ Refrigerant filter / Filtro refrigerante / Filtre réfrigérant		
	/ Compressed air inlet / Entrada aire comprimido / Entrée air comprimé	⑨ <b>HGV</b>	/ Hot gas valve / Válvula gas caliente / Vanne gas valve		
	/ Compressed air outlet / Salida aire comprimido / Sortie air comprimé	⑪	/ Dew point indicator / Indicador del punto de rocío / Indicateur du point de rosée		
	/ Calibration values / Valores de calibración / Valeurs de réglage	⑫ <b>PV</b>	/ Fan pressure switch / Presostato ventilador / Pressostat ventilateur		
	/ Electrical supply inlet / Entrada alimentación eléctrica / Entrée alimentation électrique	⑬ <b>HT</b>	/ High temperature safety thermostat / Termostato de seguridad alta temperatura / Thermostat sécurité haute température		
	/ Condensate drain / Drenaje de condensados / Purge des condensats	⑭ <b>QS</b>	/ Main power switch / Interruptor general / Interrupteur général / Huvudströmbrytare / Pääkytkin / Hovedbryter / Hoofdschakelaar / Hovedafbryder / Wyłącznik główny / Hlavní vypínač / Főkapcsoló / Γενικός διακόπτης / Главный выключатель		
	/ Limit of equipmen / Límite del equipo / Limite de l'appareil	⑮	/ Cover / Tapadera / Couverture		
	/ Sound pressure level [1m distance in free field - according to ISO 3746]. / Nivel de presión sonora [a 1 m de distancia en campo libre, según norma ISO 3746] / Niveau de pression sonore à 1 mètre de distance en champ libre (selon norme ISO 3746)	<b>CN</b>	/ Electronic condensate drain power supply / Alimentación del drenaje electrónico /Alimentation du purgeur électronique		
	/ Connections: Tightening torque (N x m) / Conexiones: Par de apriete (N x m) / Raccordements: Couple de serrage (N x m)	<b>SK</b>	/ Overload protector / Protector térmico / Protection thermique		
	/ Condensation air outlet / Salida aire de condensación / Sortie air de condensation	<b>KA</b>	/ Starting relay / Relé de puesta en marcha / Relais de démarrage		
	/ Condensation air inlet / Entrada aire de condensación / Entrée air de condensation	<b>KA1</b>	/ Alarm switch / Termostato alarma / Relais temporisé		
		<b>KT</b>	/ Timed relay / Relé temporizado / Relais temporisé		
		<b>T01</b>	/ Dew point temperature sensor / Sensor temperatura punto rocío / Capteur de température dew point		

<p>1</p> <p>Air compressor Compresor de aire Compresseur d'air</p>	<p>2</p> <p>Dryer Secador Sécheur</p>	<p>3</p> <p>By-pass unit Grupo by-pass Groupe by-pass</p>	<p>4</p> <p>Filter (3 micron filtration or better) near dryer air inlet Filtro (filtración de 3 micrones o mejor) cerca de la entrada de aire de la secadora Filtre (filtration des particules de 3 microns minimum) à proximité de l'orifice d'admission d'air du sécheur</p>
--	---	---	--









	<p>Safety valves for not exceeding dryer design pressure Válvulas de seguridad para no superar la presión de diseño del secador Soupapes de sécurité, pour ne pas dépasser la pression préétablie du sécheur</p>
--	--

	<p>Hoses for air connections if the system undergoes vibrations Tubos flexibles para las conexiones de aire si la red está expuesta a vibraciones Tuyaux flexibles pour raccordements de l'air si le réseau est soumis à des vibrations</p>
--	---

<p>5</p> <p>Tank in position A or in B Depósito en la posición A o B Réservoir en position A ou B</p>	<p>6</p> <p>Outlet filter Filtro de salida Filtre en sortie</p>	<p>7</p> <p>Oil-Water separator Separador agua-aceite Séparateur eau-huile</p>	<p>8</p> <p>Condensate drain Drenaje de condensados Purgeur des condensats</p>
---	---	--	--

	<p>Suitable dampers if the system undergoes pulsations Amortiguadores si la red está expuesta a pulsaciones Amortisseurs hydrauliques appropriés si le réseau est soumis à des pulsations</p>
--	---

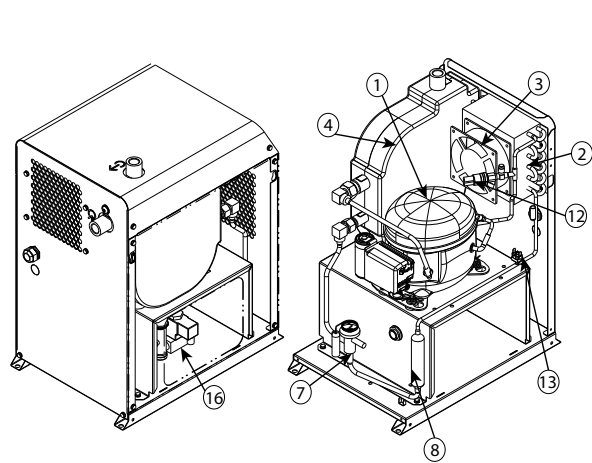
MODEL 115V	Weight		Refrigerant R513a			MIN.- MAX Ambient Temperature		Compressed air inlet Temperature	F.L.A.[A]		Minimum section validated cable for electrical connection	Compressed air inlet air outlet
	 (Kg)	(lb)	(Kg)	(lb)	(CO <sub>2</sub> )	Amb			In	115V ±10% 1ph/60Hz		
						 During transport and stockage	 After installation	Ø [mm2]			BSPP-F	
SPS 010	24	53	0.16	0.35	0.09	0°-50°C 32°-122°F	5°-50°C 41°-122°F	5°- 65°C 41°-149°F	3.59	-	3X14AWG	NPT (compatible) 1/2"
SPS 015	24	53	0.16	0.35	0.09							
SPS 025	25	55	0.16	0.35	0.09							
SPS 035	35	77.2	0.24	0.53	0.14				3.91	-		NPT (with adaptor) 3/4"
SPS 050	36	79.4	0.24	0.53	0.14							
SPS 075	46	101.4	0.34	0.75	0.19				8.33	4.67		NPT (with adaptor) 1"
SPS 0100	46	101.4	0.34	0.75	0.19							
SPS 0125	47	103.6	0.34	0.75	0.19				11.59	5.8		NPT (with adaptor) 1.1/2"
SPS 0150	53	116.8	0.40	0.88	0.23							
SPS 0175	55	121.2	0.40	0.88	0.23				-	9.13		
SPS 0200	80	176.4	0.60	1.32	0.34							
SPS 0250	80	176.4	0.60	1.32	0.34							

Calibration values 	Expansion automatic valve 7-AEV	Fan pressure Switch 12-PV	High temperature safety thermostat 13-HT	IP	Sound pressure level 	Air - Side Max Working Pressure Max 
SPS 010/0175	2.6 barg (+ 0.1, - 0)  37.7 PSig	ON: 11 bar OFF: 7.5 bar	80°C	22	52 dB (A)	16 bar 232 PSig
SPS 0200/0250		ON: 159 PSig OFF: 108.7 PSig	176°F			14 bar 203 PSig

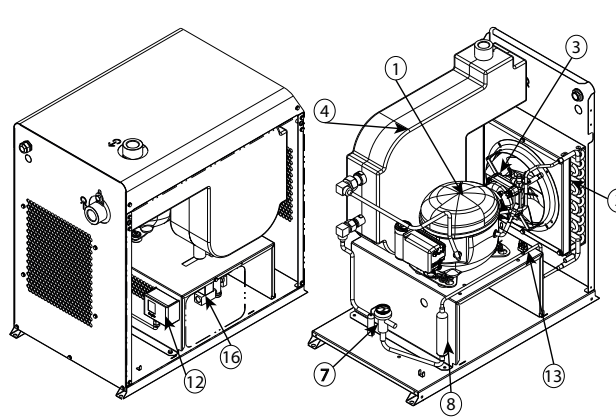


COMPONENTS		See par. 8.5	SPS 010	SPS 015	SPS 025	SPS 035	SPS 050	SPS 075	SPS 0100	SPS 0125	SPS 0150	SPS 0175	SPS 0200	SPS 0250	
Compressor	115V/1/60	①	on request				398H473522			on request		-			
	230V/1/60	⑧	-				398H473523			on request		on request			
Electrical kit	115V/1/60	-	on request				on request			on request		-			
	230V/1/60		-				on request			on request		on request			
Fan / Fan kit	115V/1/60	③	398H473056		398H473440		398H474422		398H473442		-		-		
	230V/1/60		-		-		398H474421		398H473443						
Automatic expansion valve kit		⑦ ⑧	398H473419									398H473429			
Refrigerant condenser		②	398H114800		398H114908		398H114909		398H114907		398H114910		398H114910		
Evaporator / Separator / Air-air heat-exchanger		④	398H473741		398H473742		398H473743		398H473744		398H473745		398H473745		
Power cable		⑥	398H256310									398H256316			
Refrigerant filter		⑧	398H206214									398H206218			
Dew point sensor		⑪	398H275874												
Fan pressure switch kit		⑫	3398H354376		398H785124										
High temperature safety thermostat		⑬	398H473399									398H474434			
High pressure switch		⑭	-						398H354121		398H354053				
Drain	Integral time drain	⑮	398H698220									-			
	230V/1/60								ETV						
	External drain	on request													
Electronic control	115V/1/60	A1	398H275827									-			
	230V/1/60		-						398H275826						
Main power switch		QS	398H255132						398H255197						

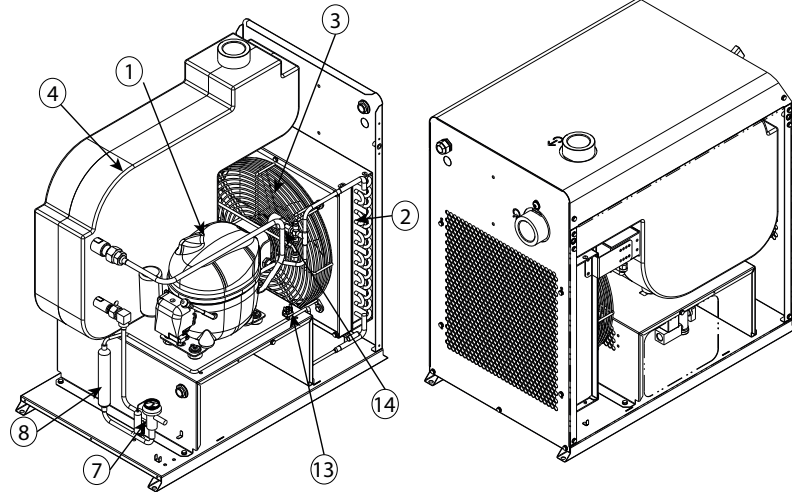
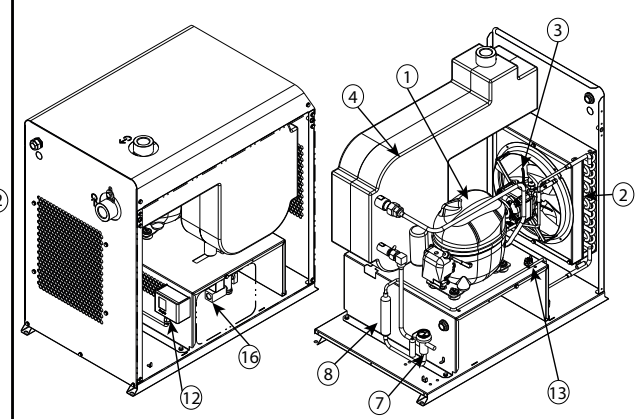
( SPS 010/025 )



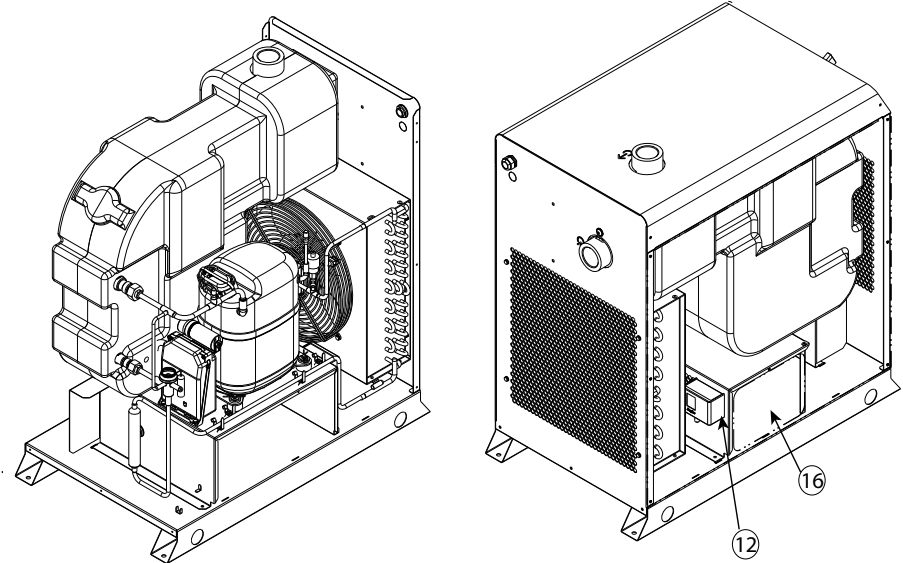
( SPS 035/050 )



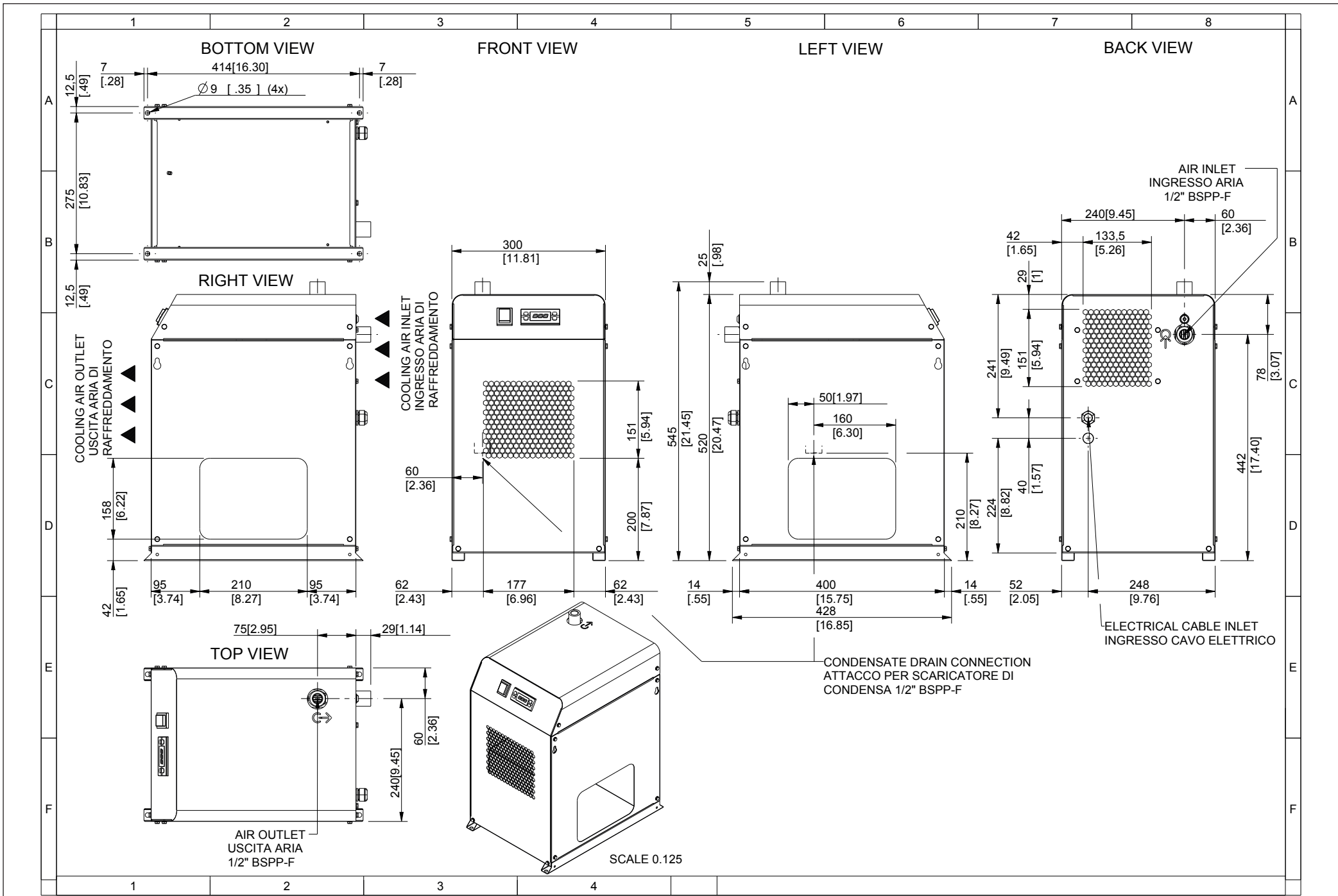
( SPS 075/0125 )

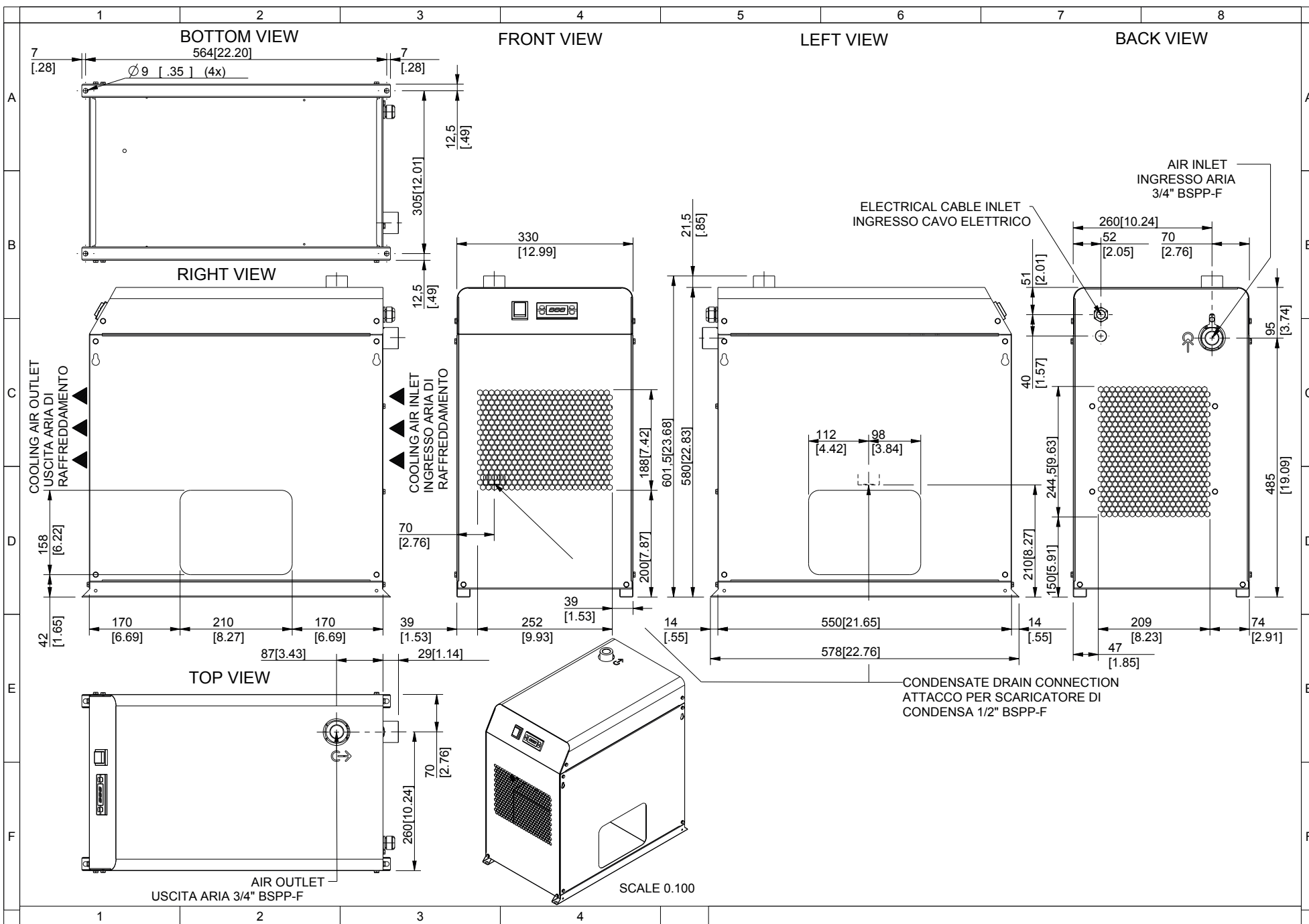


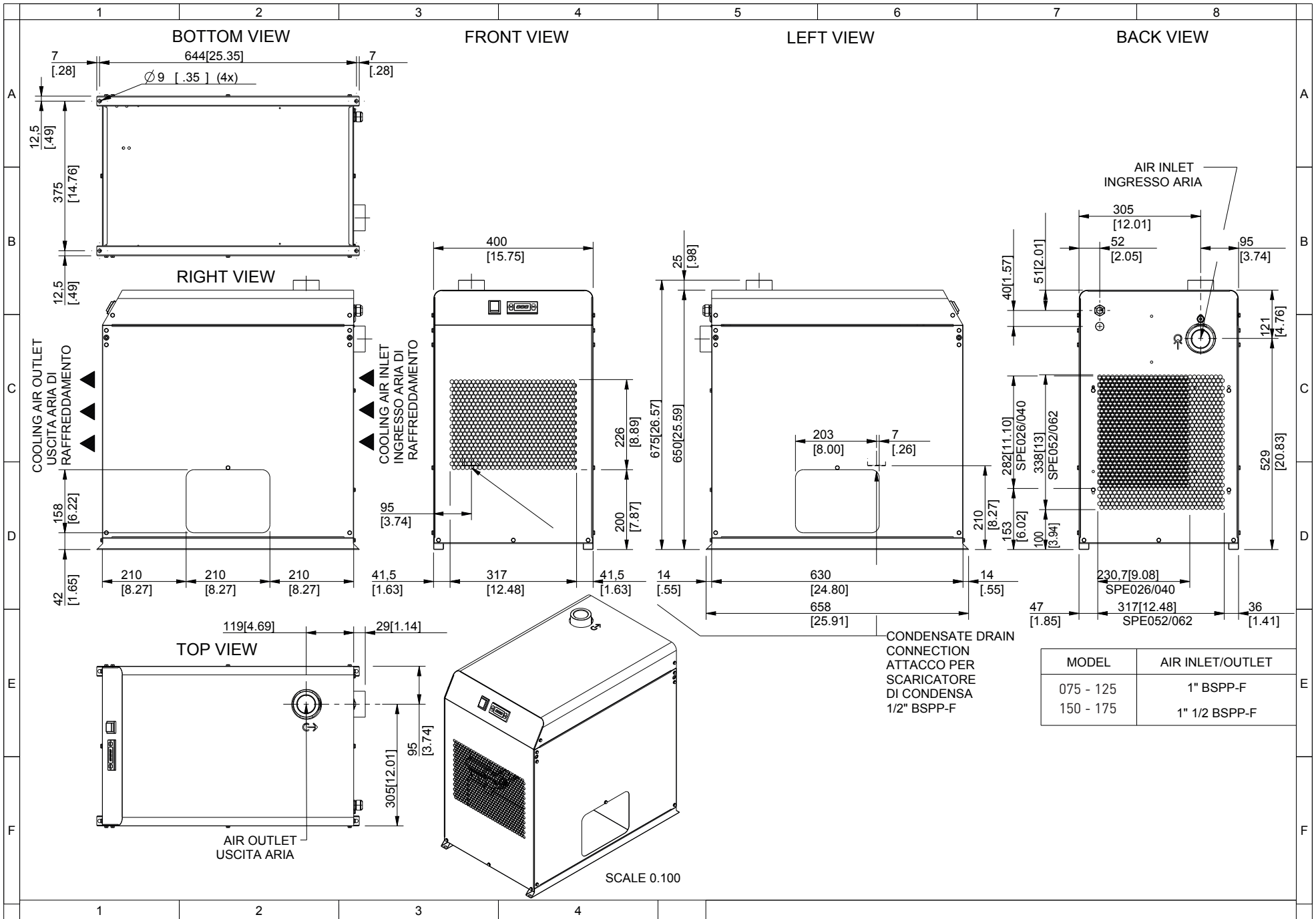
( SPS 0150/0175 )

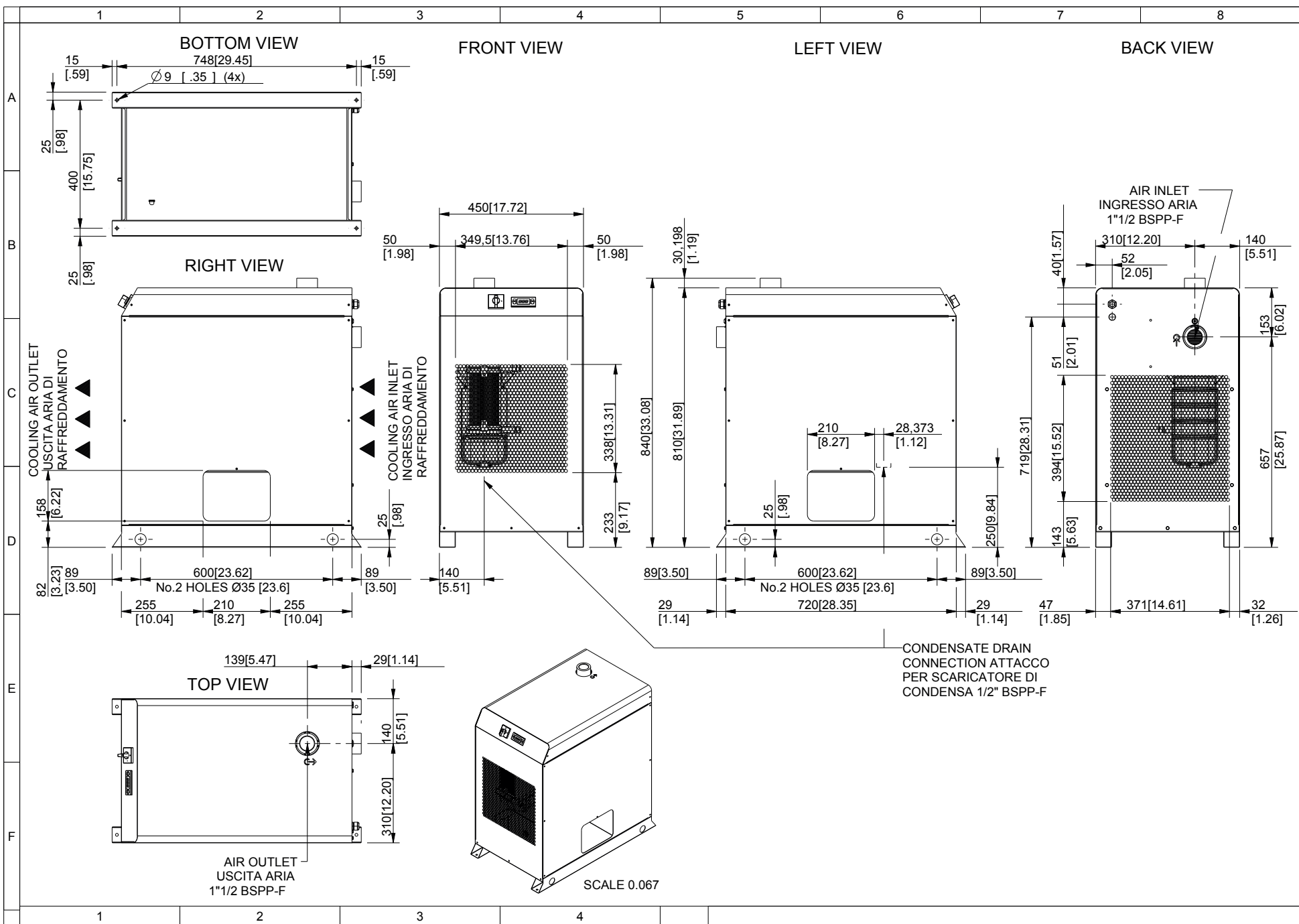


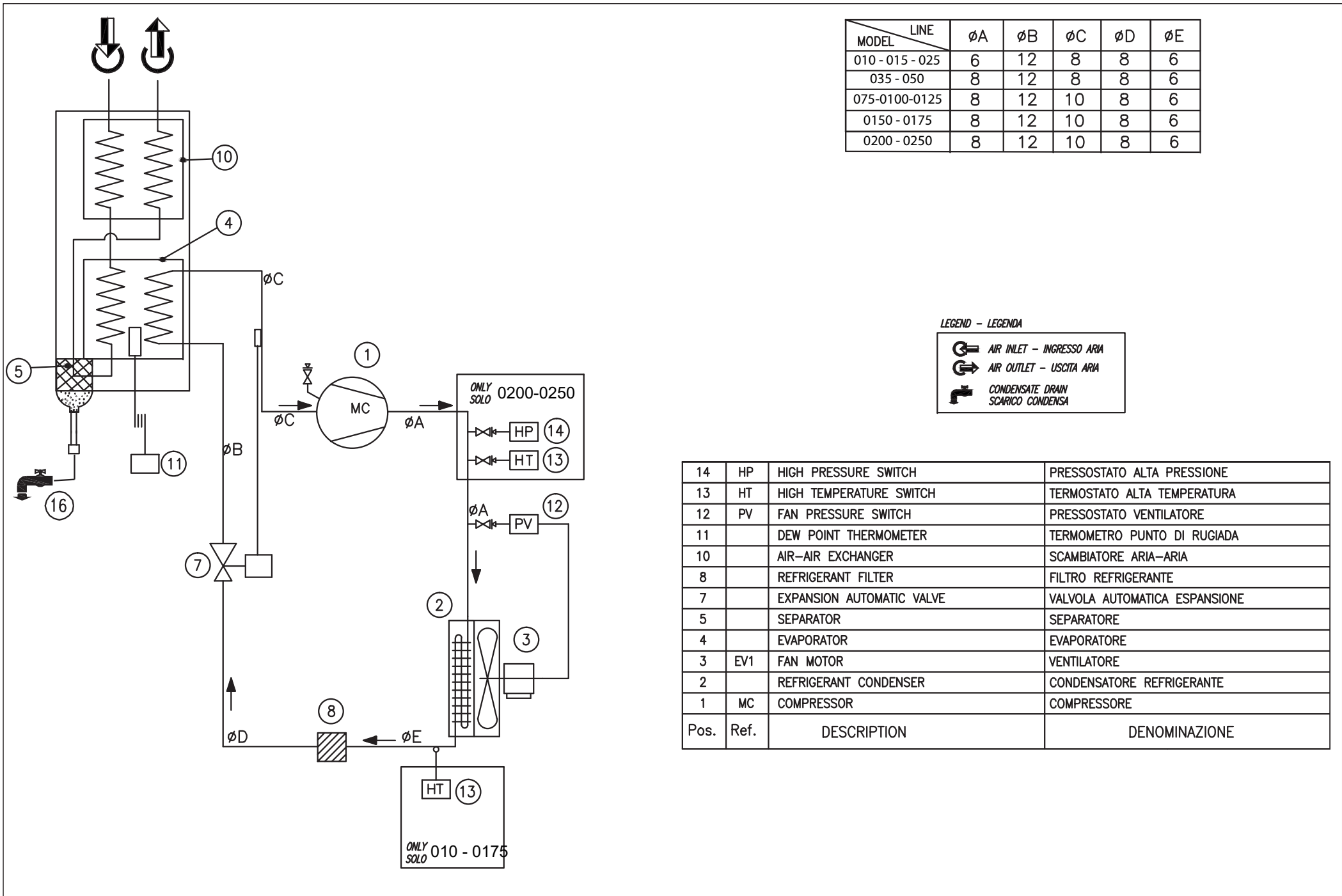
( SPS 0200/0250 )









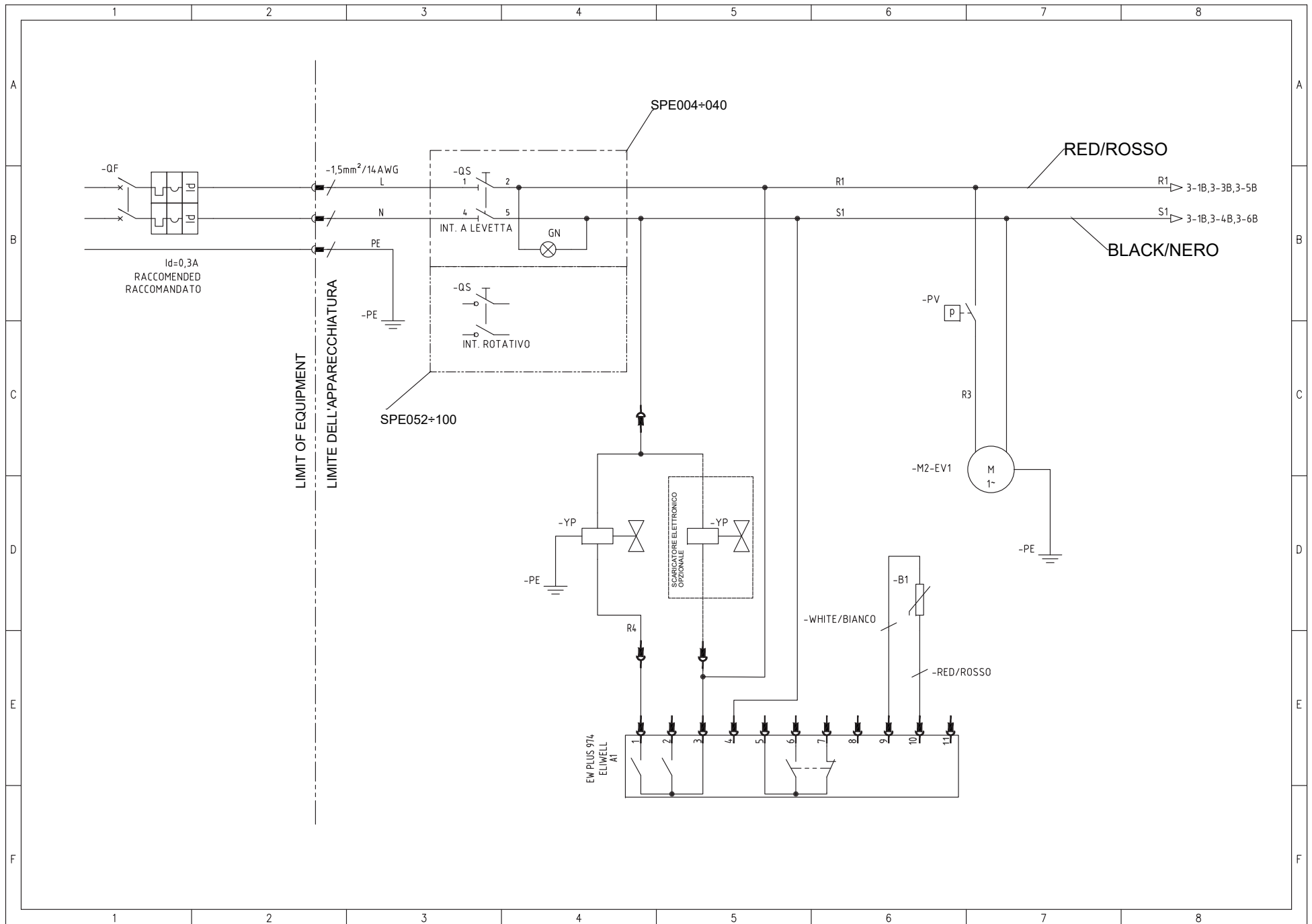


MODEL	LINE	øA	øB	øC	øD	øE
010 - 015 - 025		6	12	8	8	6
035 - 050		8	12	8	8	6
075-0100-0125		8	12	10	8	6
0150 - 0175		8	12	10	8	6
0200 - 0250		8	12	10	8	6

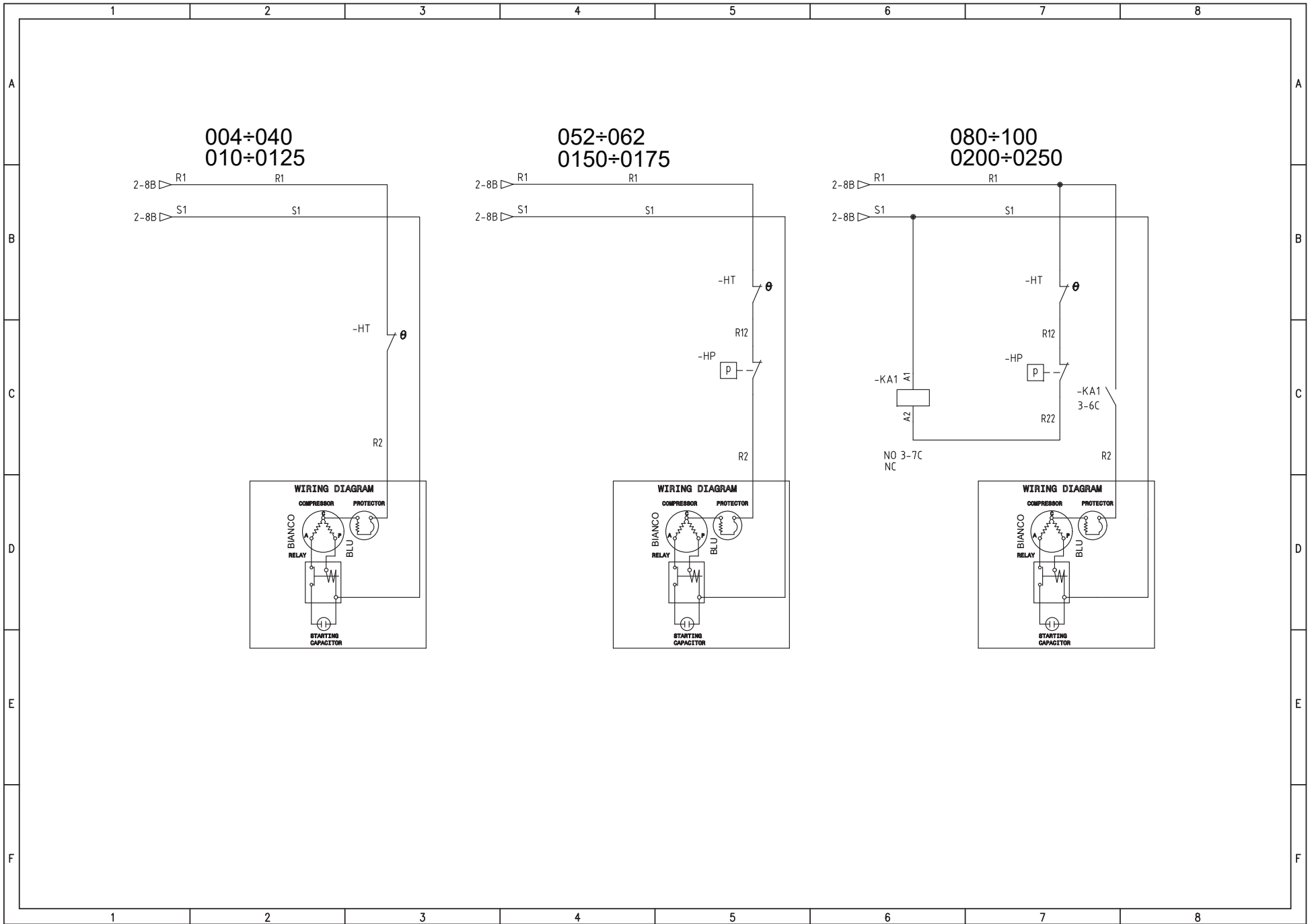
LEGEND - LEGENDA

 AIR INLET - INGRESSO ARIA  
 AIR OUTLET - USCITA ARIA  
 CONDENSATE DRAIN  
 SCARICO CONDENSA

Pos.	Ref.	DESCRIPTION	DENOMINAZIONE
14	HP	HIGH PRESSURE SWITCH	PRESSOSTATO ALTA PRESSIONE
13	HT	HIGH TEMPERATURE SWITCH	TERMOSTATO ALTA TEMPERATURA
12	PV	FAN PRESSURE SWITCH	PRESSOSTATO VENTILATORE
11		DEW POINT THERMOMETER	TERMOMETRO PUNTO DI RUGIADA
10		AIR-AIR EXCHANGER	SCAMBIATORE ARIA-ARIA
8		REFRIGERANT FILTER	FILTRO REFRIGERANTE
7		EXPANSION AUTOMATIC VALVE	VALVOLA AUTOMATICA ESPANSIONE
5		SEPARATOR	SEPARATORE
4		EVAPORATOR	EVAPORATORE
3	EV1	FAN MOTOR	VENTILATORE
2		REFRIGERANT CONDENSER	CONDENSATORE REFRIGERANTE
1	MC	COMPRESSOR	COMPRESSORE
Pos.	Ref.	DESCRIPTION	DENOMINAZIONE













A division of Parker Hannifin Corporation

---

**Parker Hannifin Corporation**

Industrial Gas Filtration and Generation Division

4087 Walden Avenue

Lancaster, NY 14086

Tel: + 1 800 343 4048

Web site: [www.parker.com/igfg](http://www.parker.com/igfg)

E-mail: [gsfsupport@parker.com](mailto:gsfsupport@parker.com)

**Parker Hannifin Manufacturing S.r.l.**

Sede Legale:

Via Sebastiano Caboto 1, Palazzina "A" 20094 Corsico (MI) Italy

Sede Operativa:

**Gas Separation and Filtration Division EMEA** - Strada Zona Industriale, 4

35020 S. Angelo di Piove (PD) Italy

tel +39 049 971 2111- fax +39 049 9701911

Web-site: [www.parker.com](http://www.parker.com)